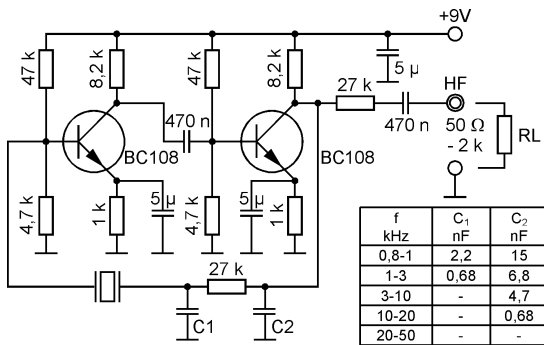
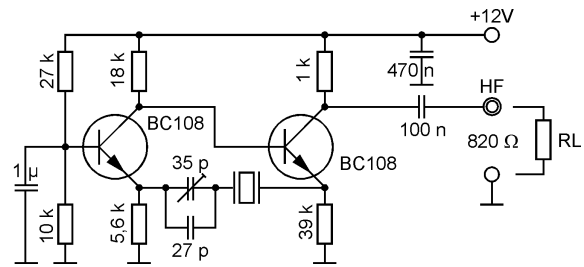


Quartzoszillator-Schaltungen

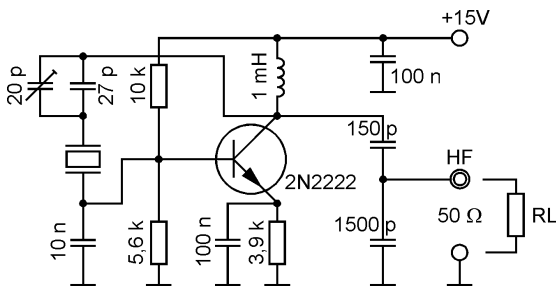
NF-Oszillator



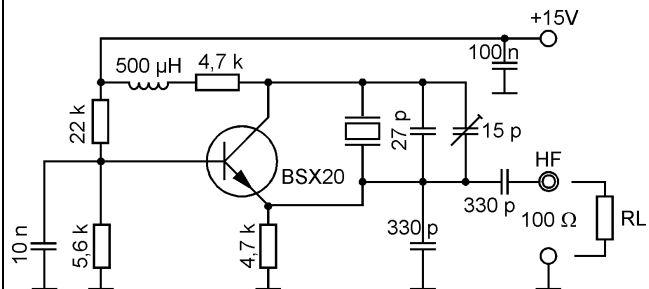
Butler-Grundton-Oszillator
50 kHz - 2 MHz



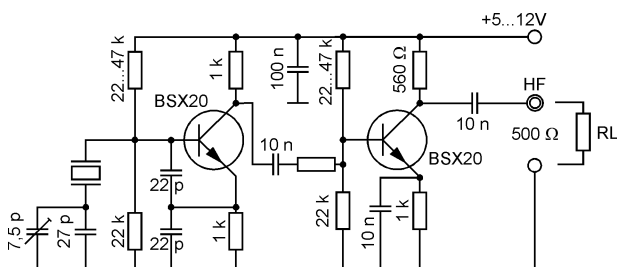
Pierce-Grundton-Oszillator
1 - 10 MHz



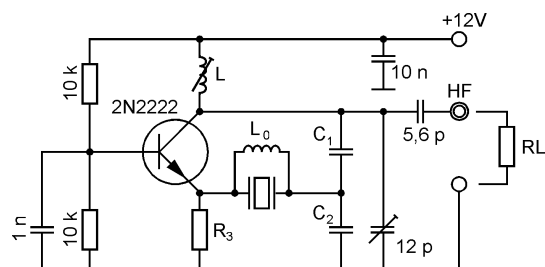
Clapp-Grundton-Oszillator
3 - 25 MHz



Colpitts-Grundton-Oszillator
3 - 30 MHz



Pierce-Oberton-Oszillator
50 - 200 MHz



| | | Frequenz (MHz) | | | |
|----------------|----|----------------|-----|------|------|
| | | 75 | 120 | 150 | 200 |
| C ₁ | pF | 8 | 8 | 5 | 3 |
| C ₂ | | 100 | 50 | 25 | 20 |
| R ₃ | Ω | 510 | 390 | 1,1K | 1,1K |
| RL | | 470 | 300 | 600 | 600 |
| L ₀ | nH | 250 | 100 | 80 | 50 |