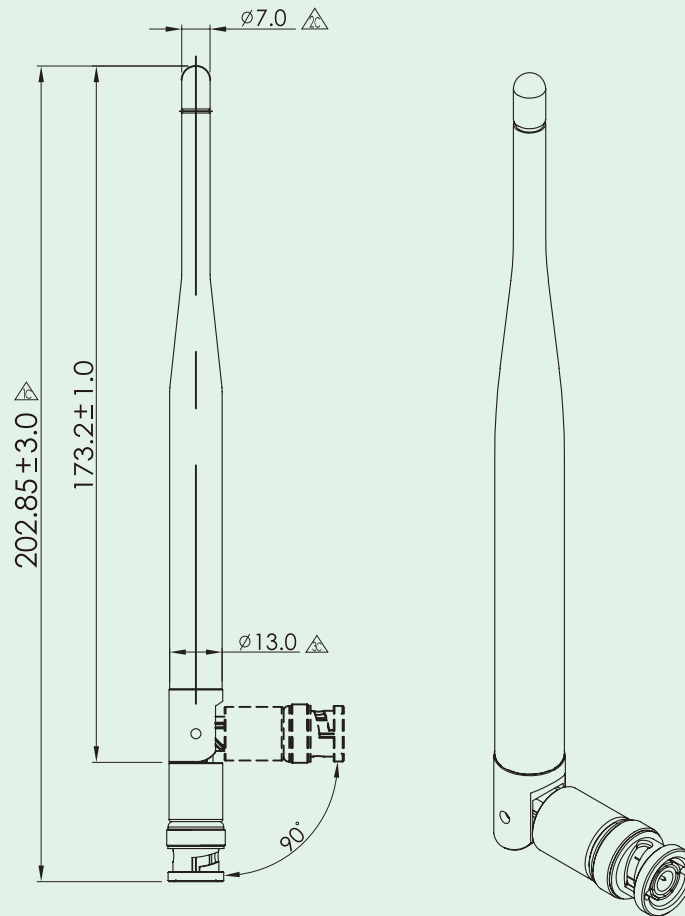




## DVB-T Swivel Antenna

**KINSUN**



### Product Data:

**ROHS - Compliant**

#### ELECTRICAL :

- Frequency Range : 470 ~ 860 MHz
- Impedance : 50 ohm
- VSWR :  $\leq 2.0$
- Radiation : Omni
- Polarization : Linear

#### MECHANICAL :

- Antenna Housing : Engineering Plastics
- Color : Black
- Operating Temperature :  $-20^{\circ}\text{C} \sim +65^{\circ}\text{C}$
- Storage Temperature :  $-30^{\circ}\text{C} \sim +75^{\circ}\text{C}$
- Connector : BNC Male

### Part Number

**6610302081**

#### Optional Connector

SMA Male  
SMA Male Reverse  
BNC Male  
TNC Male  
TNC Male Reverse

Part number changes as per different option