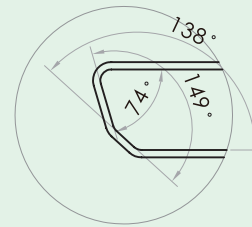
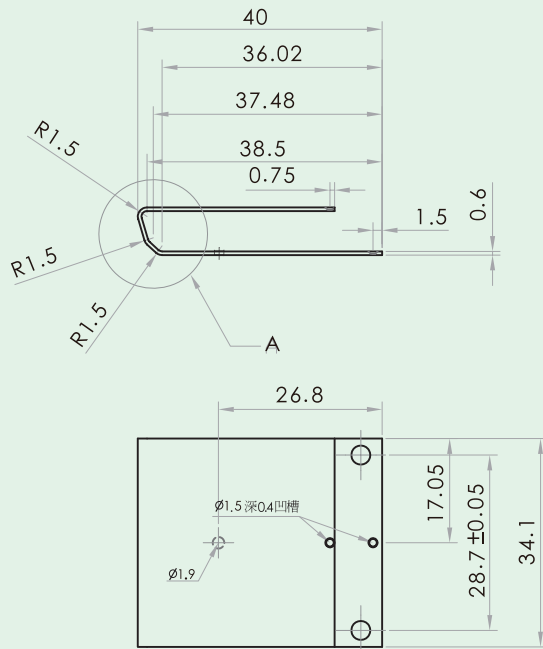


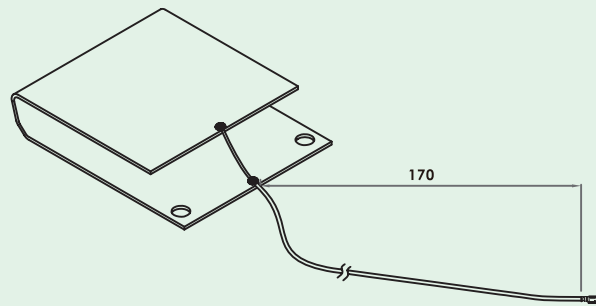


2.4 GHz PIFA U Shape Antenna

KINSUN



DETAIL: A
S=2:1



Product Data:

ROHS - Compliant

ELECTRICAL :

- Frequency Range : 2.4 GHz
- Impedance : 50 ohm
- VSWR : ≤ 2.0
- Gain : Depend on ground
- Radiation : Directional
- Polarization : Linear

MECHANICAL :

- Material : Tinplate
- Operating Temperature : $-20^{\circ}\text{C} \sim +65^{\circ}\text{C}$
- Storage Temperature : $-30^{\circ}\text{C} \sim +75^{\circ}\text{C}$
- Connector : MHF (I - pex)
- Cable : 1.13

Part Number

6660113030-170

Optional Cable	Optional Connector
1.13	NO
RG - 178	SMA Male
	SMA Male Reverse
	SMA Male Right Angle
	SMA Male Right Angle Reverse
	SMA Female
	SMA Female Reverse
	MCX Male
	MCX Male Right Angle
	MMCX Male
	MMCX Male Right Angle
	MHF (I - pex)

Part number changes as per different option