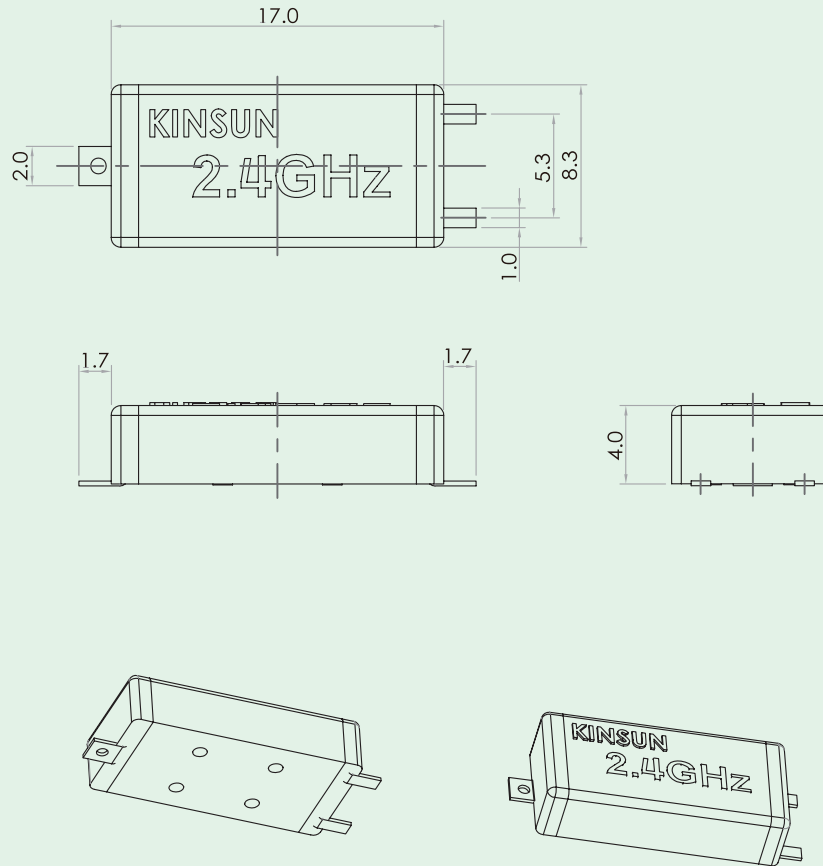




INSERT SMT Type

KINSUN



Product Data:

ROHS - Compliant

ELECTRICAL :

- Frequency Range : 2.4 GHz
- Impedance : 50 ohm
- VSWR : ≤ 2.0
- Gain : Depend on ground
- Radiation : Directional
- Polarization : Linear

MECHANICAL :

- Antenna Housing : Engineering Thermoplastic
- Color : Blue
- Operating Temperature : $-20^{\circ}\text{C} \sim +65^{\circ}\text{C}$
- Storage Temperature : $-30^{\circ}\text{C} \sim +75^{\circ}\text{C}$
- Connector : SMT

Part Number

668210200S

Part number changes as per different option