

Stacked coin Type

Series: SG

Country of Origin

- Feature Endurance : 70°C 1000 h
Maximum height of 6 mm (H Terminal)
RoHS directive compliant

Japan

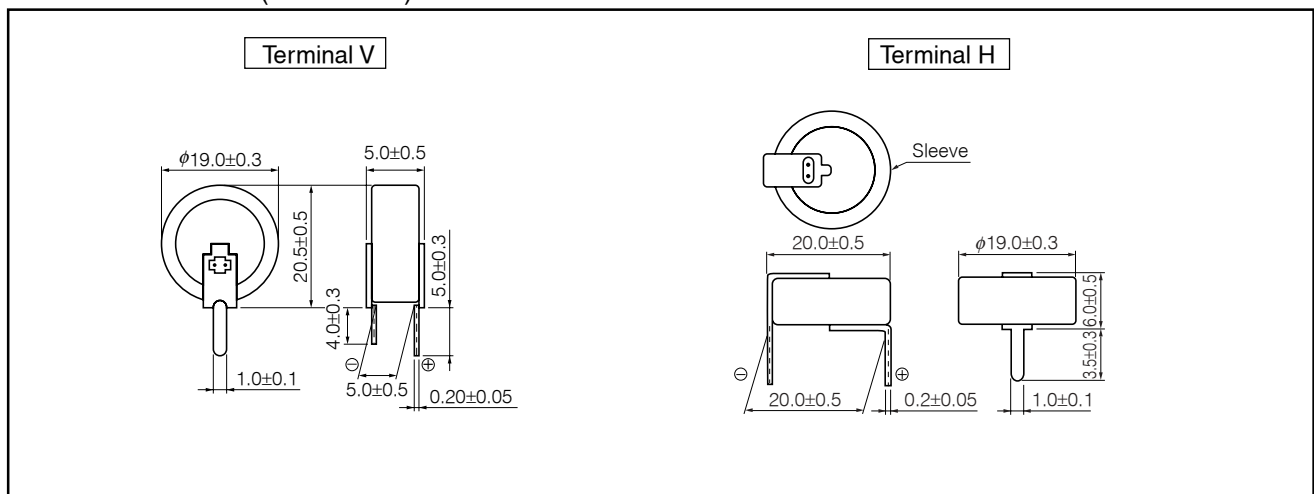


- Recommended Applications
Memory back-up for video and audio equipment,
cameras, telephones, printers, data terminals,
rice cookers and intelligent remote controls.

■ Specifications

Category temp. range	-25 to +70°C	
Maximum Operating Voltage	5.5 V .DC	
Nominal Cap. Range	0.47 to 1.5 F	
Characteristics at Low Temperature	Capacitance change	±30% of initial measured value at +20°C (-25 to +70°C)
	Internal resistance	≤ 5 times of initial measured value at +20°C (at -25°C)
Endurance	After 1000 hours application of 5.5V. DC at +70°C, the capacitor shall meet the following limits.	
	Capacitance change	±30% of initial measured value
	Internal resistance	≤ 4 times of initial specified value
Shelf Life	After 1000 hours storage at +70°C without load, the capacitor shall meet the specified limits for Endurance.	
Moisture Resistance	After 500 hours storage at +55°C, 90 to 95% R.H., the capacitor shall meet the specified limits for Endurance.	

■ Dimensions in mm (not to scale)



■ Standard Products

Maximum Operating Voltage	Capacitance (F)	Capacitance range (F)	Internal resistance (Ω) at 1kHz	Part number	Min. Packaging Qty (PCS)
5.5	0.47	0.376 to 1.41	≤ 30	EECS5R5()474	100
	1.0	0.80 to 1.80	≤ 30	EECS5R5()105	100
	1.5	1.20 to 2.70	≤ 30	EECS5R5()155	100

() Please use V or H, to indicate the terminal style.

Note: Do not use reflow soldering. (IR, Atmosphere heating methods, etc.)