

Surface Mount Type

Series: **EP**



■ Features

- Miniaturized : Dia3.8 × height 1.5 mm max.
- Reflow soldering method available (260 °C)
- RoHS directive compliant

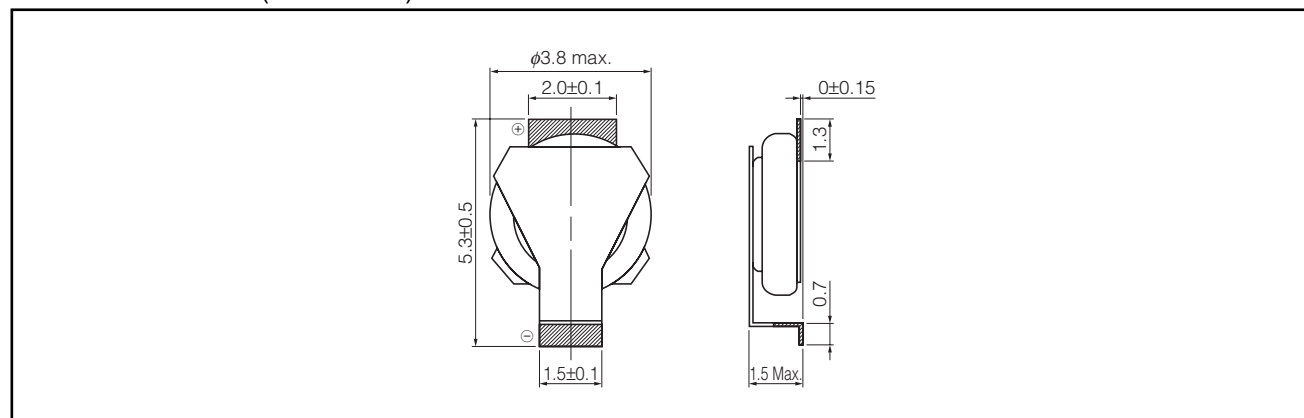
■ Recommended Applications

- Mobile phones, PDAs
- RTC backup

■ Specifications

Category Temp. Range	-10 °C to +60 °C			
Maximum Operating Voltage	2.6 V DC		3.3 V DC	
Capacitance	0.033 F +80 %/-20 %			
Maximum Operating Current	5 μA			
Stability at low and high temperature		Lower category temp. (-10 °C)		Upper category temp. (+60 °C)
	Capacitance change	±30 % of initial measured value at 20 °C		±30 % of initial measured value at 20 °C
	Internal resistance	≤10 times of initial measured value at 20 °C		≤Initial measured value at 20 °C
Endurance	After 500 hours application of 2.6 V at +60 °C		After 250 hours application of 3.3 V at +60 °C	
	Capacitance change	±30 % of initial measured value at 20 °C	Capacitance change	±30 % of initial measured value at 20 °C
	Internal resistance	2 kΩ or less	Internal resistance	4 kΩ or less
Shelf Life	After 500 hours strage at +60 °C without load (voltage)			
	Capacitance change	±30 % of initial measured value at 20 °C		
	Internal resistance	1 kΩ or less		

■ Dimensions in mm(not to scale)



■ Standard Products

Maximum Operating Voltage (V.DC)	Capacitance (F)	Internal resistance (Ω) at 1kHz	Maximum discharging current (μA)	Part number	Mass (g)	Min. Packaging Q'ty Reel (pcs)
2.6	0.033	≤350	5	EECEP0E333A	0.06	4000
3.3				EECEP0F333A		

The re-flow condition / taping dimensions are explained on P197, 198 of our catalog.

(): Please use AK,RK or J2 to indicate terminal type.

Note : 1. Do not use reflow soldering when cell voltage is above 0.3 V.

2. When the capacitor is being used in a high temperature and high humidity environment for a long period, and will not affect any electrical characteristics of the capacitor.

3: EP series is a small capacitor that developed for the RTC backup of cellular phone. Therefore, there isa a possibility that it will not be able to back up in short time depend on using condition. Please contact us before you use it