

Stacked Coin Type

Series: **NF**

■ Features

- Endurance : 70 °C 1000 h
- RoHS directive compliant



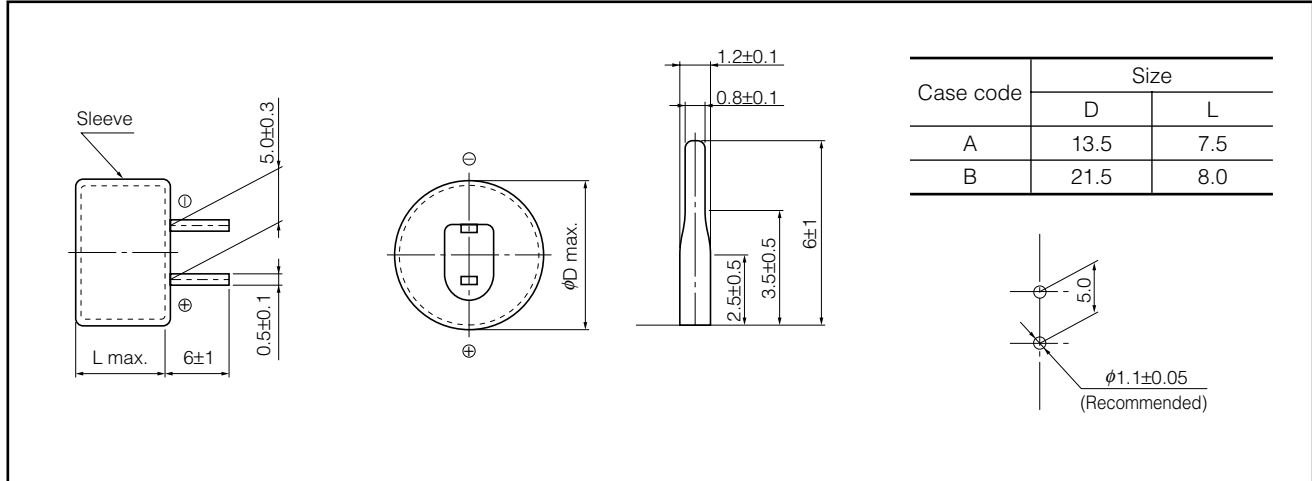
■ Recommended Applications

- Memory back-up for video and audio equipment, cameras, telephones, printers, data terminals, rice cookers and intelligent remote controls.

■ Specifications

| | | |
|------------------------------------|--|--|
| Category Temp. Range | -25 °C to +70 °C | |
| Maximum Operating Voltage | 5.5 V.DC | |
| Nominal Cap.Range | 0.1 F to 1.5 F | |
| Characteristics at Low Temperature | Capacitance change | ±30 % of initial measured value at +20 °C (-25 °C to +70 °C) |
| | Internal resistance | ≤5 times of initial measured value at +20 °C (at -25 °C) |
| Endurance | After 1000 hours application of 5.5 V. DC at +70 °C, the capacitor shall meet the following limits. | |
| | Capacitance change | ±30 % of initial measured value |
| | Internal resistance | ≤4 times of initial specified value |
| Shelf Life | After 1000 hours storage at +70°C without load, the capacitor shall meet the specified limits for Endurance. | |

■ Dimensions in mm(not to scale)



■ Standard Products

| Maximum Operating Voltage (V.DC) | Capacitance (F) | Capacitance range (F) | Internal resistance (Ω) at 1kHz | Case code | Part number | Min. Packaging Q'ty | |
|-------------------------------------|--------------------|--------------------------|------------------------------------|-----------|-------------|---------------------------|---------------------------------------|
| | | | | | | Quantity per box (pcs) | Quantity per outer packaging (pcs) |
| 5.5 | 0.10 | 0.08 to 0.18 | ≤ 75 | A | EECF5R5U104 | 200 | 2000 |
| | 0.22 | 0.176 to 0.396 | ≤ 75 | A | EECF5R5U224 | 200 | 2000 |
| | 0.47 | 0.376 to 1.410 | ≤ 30 | B | EECF5R5U474 | 100 | 500 |
| | 1.0 | 0.80 to 1.80 | ≤ 30 | B | EECF5R5U105 | 100 | 500 |
| | 1.5 | 1.20 to 2.70 | ≤ 30 | B | EECF5R5U155 | 100 | 500 |

Note : Do not use reflow soldering. (IR, Atmosphere heating methods, etc.)
Please refer to P197 "Mounting Specifications".