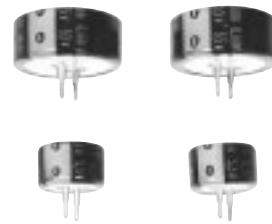


### Stacked Coin Type

Series: **F**



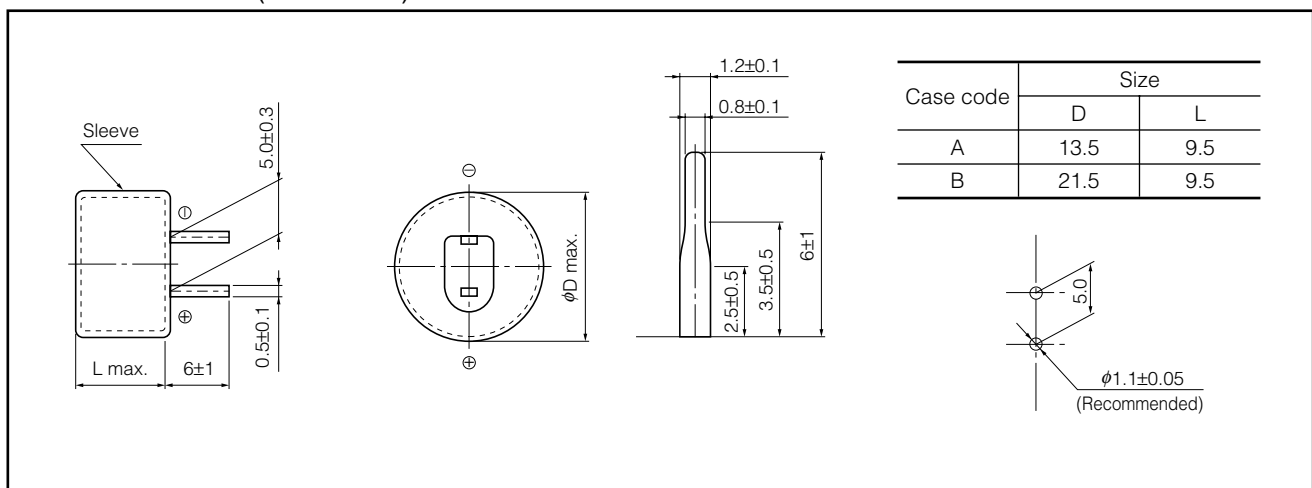
#### ■ Features

- Endurance : +85 °C 1000 h
- RoHS directive compliant

#### ■ Specifications

|                                    |   |  |
|------------------------------------|---|--|
| Category Temp. Range               | -25 °C to +85 °C  |  |
| Maximum Operating Voltage          | 5.5 V.DC  |  |
| Nominal Cap.Range                  | 0.033 F to 1.0 F  |  |
| Characteristics at Low Temperature | Capacitance change  | ±30 % of initial measured value at +20 °C (-25 °C to +85 °C) |
|                                    | Internal resistance   | ≤5 times of initial measured value at +20 °C (at -25 °C)     |
| Endurance                          | After 1000 hours application of 5.5 V. DC at +85 °C, the capacitor shall meet the following limits.           |  |
|                                    | Capacitance change  | ±30 % of initial measured value                              |
|                                    | Internal resistance   | ≤4 times of initial specified value                          |
| Shelf Life                         | After 1000 hours storage at +85 °C without load, the capacitor shall meet the specified limits for Endurance. |  |

#### ■ Dimensions in mm(not to scale)



#### ■ Standard Products

| Maximum Operating Voltage<br>(V.DC) | Capacitance<br>(F) | Capacitance range<br>(F) | Internal resistance<br>(Ω) at 1kHz | Case code | Part number | Min. Packaging Q'ty       |                                       |
|-------------------------------------|--------------------|--------------------------|------------------------------------|-----------|-------------|---------------------------|---------------------------------------|
|                                     |                    |                          |                                    |           |             | Quantity per box<br>(pcs) | Quantity per outer packaging<br>(pcs) |
| 5.5                                 | 0.033              | 0.0264 to 0.0594         | ≤ 150                              | A         | EECF5R5H333 | 200                       | 2000                                  |
|                                     | 0.047              | 0.0376 to 0.0846         | ≤ 120                              | A         | EECF5R5H473 | 200                       | 2000                                  |
|                                     | 0.10               | 0.080 to 0.180           | ≤ 100                              | A         | EECF5R5H104 | 200                       | 2000                                  |
|                                     | 0.47               | 0.376 to 0.846           | ≤ 75                               | B         | EECF5R5H474 | 100                       | 500                                   |
|                                     | 0.68               | 0.476 to 1.224           | ≤ 50                               | B         | EECF5R5H684 | 100                       | 500                                   |
|                                     | 1.00               | 0.80 to 1.80             | ≤ 50                               | B         | EECF5R5H105 | 100                       | 500                                   |

Note : Do not use reflow soldering. (IR, Atmosphere heating methods, etc.)  
Please refer to P197 "Mounting Specifications".