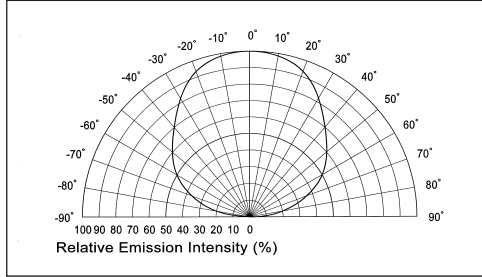




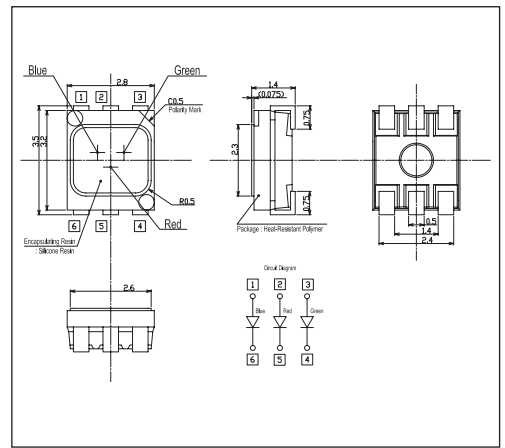
Characteristics

- High luminous 3 color LED
- High optical efficiency
- Flexible Design with 3 independent circuits
- Silicone encapsulation

Directive Characteristics (Ta=25°C)



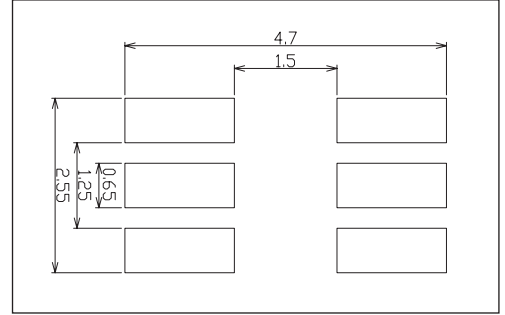
Package Outlines (mm)



Absolute Rating Limits (Ta=25°C)

Item	Symbol	Value			Unit
		Red	Green	Blue	
Power Dissipation per Lamp	P _D	190			mW
DC Forward Current per Chip	I _F	25	25	25	mA
DC Reverse Voltage per Chip	V _R	5			V
Operating Temperature	T _{opr}	-40 ~ +100			°C
Storage Temperature	T _{stg}	-40 ~ +100			°C

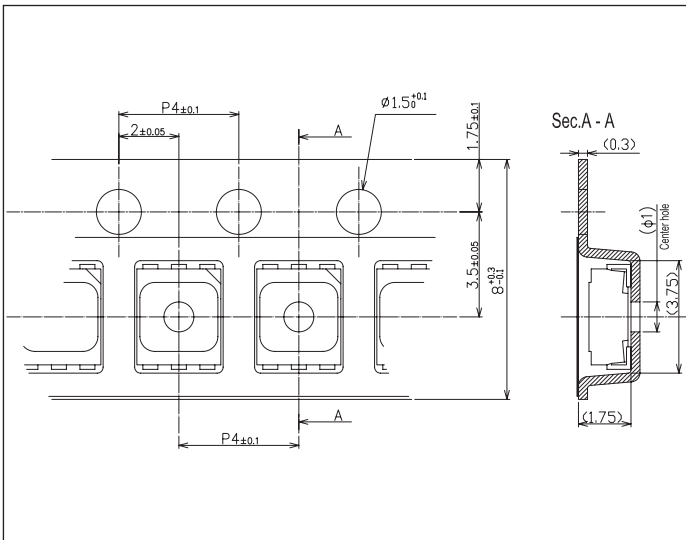
Recommended Soldering Pattern (mm)



Electrical and Optical Characteristics (Ta=25°C)

Part No.		Luminous Intensity [mcd]			Forward Voltage [V]			Wavelength Characteristics [nm]			
		Typ.	Min.	I _F [mA]	Typ.	Max.	I _F [mA]	λ _D Min.	λ _D Max.	Δλ Typ.	I _F [mA]
PX-1T450-M	Red	360	190	20	2.3	2.8	20	624	635	20	20
	Green	900	600	20	3.4	4.0	20	520	540	30	20
	Blue	250	140	20	3.3	3.7	20	463	470	20	20

Taping Outline Dimensions (Unit: mm)



Luminous Intensity Ranks (Ta=25°C, I_F=20mA)

Rank	Red	Green	Blue	
1	190-270	600-810	140-190	
2			190-260	
3			260-360	
4			140-190	
5			190-260	
6		810-1100	1100-1500	260-360
7				140-190
8				190-260
9				260-360
10				140-190
11	270-370	600-810	190-260	
12			260-360	
13			140-190	
14			190-260	
15			260-360	
16		810-1100	1100-1500	140-190
17				190-260
18				260-360
19				140-190
20				190-260
21	370-520	600-810	260-360	
22			140-190	
23			190-260	
24			260-360	
25			140-190	
26		810-1100	1100-1500	190-260
27				260-360
				140-190
				190-260
				260-360

Package

Reel	2500 pieces / reel
------	--------------------