

XTAL

CLK OSC

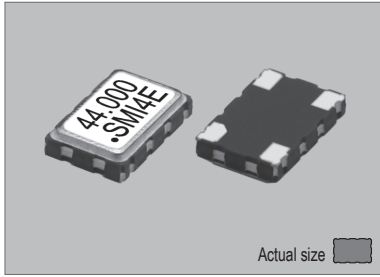
VCXO

TCXO

OCXO

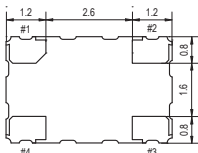
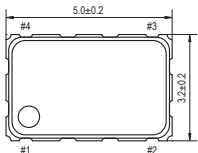
MCF

99SMOHG



Actual size
0.052 gm (wt.)

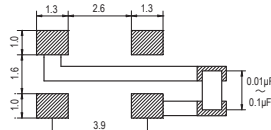
99SMOHG



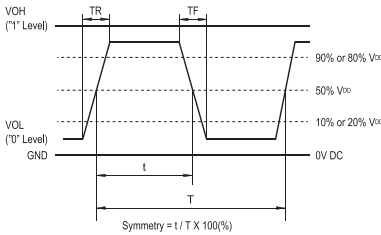
PIN	CONNECTION
1	"L" OPEN or "H"
2	GND
3	Z OUTPUT
4	V _{DD}

Z : high impedance

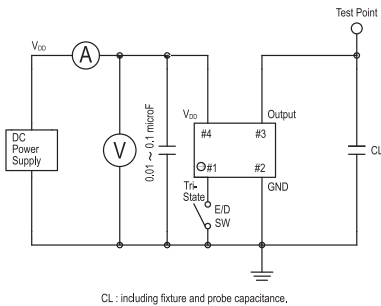
SOLDERING PATTERN



OUTPUT WAVEFORM



TEST CIRCUIT



STANDARD SPECIFICATIONS

● HIGH STABILITY CMOS OUTPUT
● PACKAGE SIZE 5.0x3.2 mm

Item	Specifications	
General part number	99SMOHG*1	
Frequency range	4.000 MHz to 55.000 MHz	
Standard frequencies (MHz)	5.000, 10.000, 12.000, 16.000, 20.000, 24.000, 32.000, 40.000, 44.000	
Frequency stability*2 (over all conditions)	99SMOHG(F) : ±15 ppm over -40°C to +85°C 99SMOHG(G) : ±10 ppm over -40°C to +85°C 99SMOHG(H) : ±8 ppm over -40°C to +85°C	
Operating Conditions	Operating temperature	-40°C to +85°C (Standard)
	Supply voltage (V _{DD})	+1.8V, +2.5V, +3.0V or +3.3V DC ±10%
	Stand-by control voltage (Pin#1)	V _{IH} : 70% V _{DD} min. V _{IL} : 30% V _{DD} max.*3
Absolute Max. Ratings	Supply voltage	-0.3V to +4.0V DC
	Storage temperature	-40°C to +85°C
Input current (Pin#1 = Open or V _{IH})	7.5 mA max. (no load)	
Stand-by current*3	10 µA max. (Pin#1 = V _{IL})	
Output (-40°C to +85°C)	Symmetry	45% to 55% at 1/2 V _{DD} level
	Rise and fall times	5 ns max. (10% V _{DD} to 90% V _{DD} level)
	"0" Level	V _{OL} : 10% V _{DD} max.
	"1" Level	V _{OH} : 90% V _{DD} min.
Load	15 pF max. (CMOS)	
Disable delay time	100 ns max.	
Enable delay time	10 ms max.	
Start-up time	10 ms max.	
SSB phase noise (at V _{DD} = +1.8V & 48.000 MHz)	-135 dBc / Hz, Typical at 1 kHz offset -162 dBc / Hz, Typical at 1 MHz offset	
RMS jitter (12 kHz to 20.000 MHz band)	168 fs, Typical (at V _{DD} = +1.8V & 48.000 MHz)	
Reflow condition	+250°C ±10°C for 10 seconds +170°C ±10°C for 1 to 2 minutes (preheating)	

(*1) Final part number to be assigned with package type, input voltage, frequency stability, operating temperature and frequency. e.g. 99SMOHG(3.0V) 40.000MHz
(*2) The frequency stability is inclusive of frequency tolerance (+25°C), temperature stability (-40°C to +85°C), input voltage change, load change, reflow frequency shift and aging (1st year at +25°C).
(*3) Internal crystal oscillation to be halted (Pin#1 = V_{IL})

PACKAGE DATA

Item	Package	99SMOHG
Lid		Metal
Base		Ceramic
Sealing		Seam
Terminal		Tungsten (metalized)
Terminal plating		Gold / Nickel (surface) / (under)
RoHS		Compliant (Pb-free)

TAPE SPECIFICATIONS

