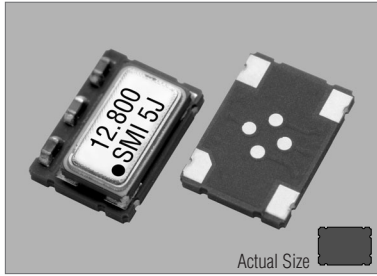


Temperature Compensated Crystal Oscillators

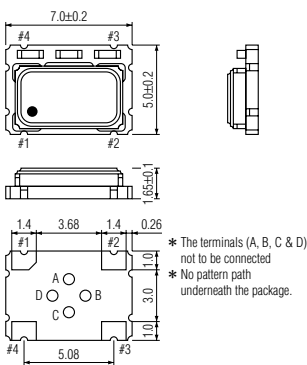
SXO-7100AV(B) SERIES

STANDARD SMD TCXO

SXO-7100AV(B)

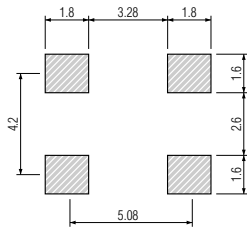


SXO-7100AV(B)

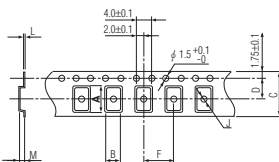


PIN	CONNECTION
1	Vcon
2	GND
3	OUTPUT
4	+V DC

SOLDERING PATTERN



TAPE SPECIFICATIONS



A	B	C	D	F	J	L	M	Reel Dia.	Qty/Reel
7.4	5.4	16.0	7.5	8.0	1.5	0.3	1.9	180	1000pcs

STANDARD SPECIFICATIONS

Item	Specifications																
Generic part number	SXO-7100AV(B)																
Frequency range	10.000000 MHz to 26.000000 MHz																
Initial frequency tolerance	±0.5 ppm max. (Vcon = 1/2VDD DC at +25°C ±2°C)																
Frequency stability	±2.5 ppm max. over -30°C to +75°C (referred to +25°C)																
Temperature range	±0.2 ppm max. at VDD ±5% DC																
Input voltage change	±0.2 ppm max. at 10K Ω ±10% with 10 pF ±10%																
Output load change	±1.0 ppm max. / year at +25°C ±3°C																
Aging																	
Absolute Max. Ratings																	
Supply voltage	-0.6V to +6.0V																
Control voltage (Vcon)	-0.6V to VDD +0.6V																
Storage temperature	-40°C to +85°C																
Operating Conditions																	
Operating temperature	-30°C to +75°C (standard)																
Input voltage (VDD)	H = +2.8V, J = +3.0V (standard), K = +3.3V, N = +5V DC ±5%																
Control voltage (Vcon)	1/2VDD ±1V DC (VDD = +2.8V, +3.0V, +3.3V or +5V)																
Input current	2.0 mA max.																
Output																	
Level	0.8Vp-p min.																
Load	10k Ω // 10 pF																
Waveform	Clipped sine wave (DC-cut)																
Frequency Adjustment																	
Voltage control	±8.0 ppm min. (1/2VDD ±1V)																
Frequency slope	Positive																
SSB phase noise	-130 dBc/Hz at 1 kHz offset																
Startup time	3 ms max.																
IR reflow resistance	±1.0 ppm max.																
Reflow condition	+250°C ±10°C for 10 seconds																
Standard frequencies (MHz)	10.000000 12.800000 13.000000 14.400000 15.360000 19.200000 19.680000 26.000000																
Optional operating temperature (select "low limit" and "high limit" for new operating temperature combination from the right-hand lists.)	<table border="1"> <thead> <tr> <th>Low limit / Symbol</th> <th>High limit / Symbol</th> </tr> </thead> <tbody> <tr> <td>-10°C / g</td> <td>+55°C / ff</td> </tr> <tr> <td>-15°C / h</td> <td>+60°C / gg</td> </tr> <tr> <td>-20°C / i</td> <td>+65°C / hh</td> </tr> <tr> <td>-25°C / j</td> <td>+70°C / ii</td> </tr> <tr> <td>-30°C / k</td> <td>+75°C / jj</td> </tr> <tr> <td>-35°C / l</td> <td>+80°C / kk</td> </tr> <tr> <td>-40°C / m</td> <td>+85°C / ll</td> </tr> </tbody> </table>	Low limit / Symbol	High limit / Symbol	-10°C / g	+55°C / ff	-15°C / h	+60°C / gg	-20°C / i	+65°C / hh	-25°C / j	+70°C / ii	-30°C / k	+75°C / jj	-35°C / l	+80°C / kk	-40°C / m	+85°C / ll
Low limit / Symbol	High limit / Symbol																
-10°C / g	+55°C / ff																
-15°C / h	+60°C / gg																
-20°C / i	+65°C / hh																
-25°C / j	+70°C / ii																
-30°C / k	+75°C / jj																
-35°C / l	+80°C / kk																
-40°C / m	+85°C / ll																

PACKAGE DATA

Item	Package	SXO-7100AV(B)
Lid		Metal
Base		Ceramic
Sealing		Seam
Terminal		Tungsten (metalized)
Terminal plating		Gold / Nickel (surface) / (under)
RoHS		Compliant (Pb-free)