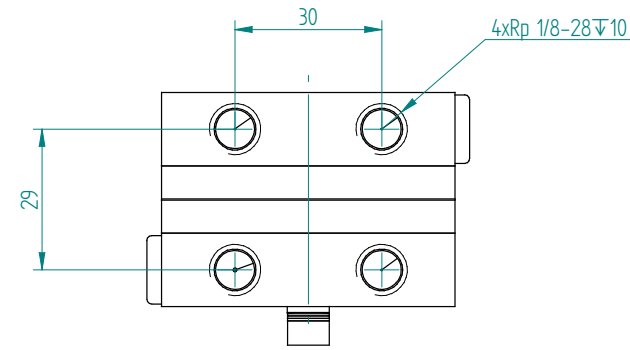


Specification (Ta=32°C)	Code:	Description:
Heat transfer, cold side:	L	Liquid
Heat transfer, warm side:	L	Liquid
Cascade:	-	
Cooling power: [W]	210	Calculated 266 W at dT=0°C. Tolerance: ±10%.
Voltage, nominal: [VDC]	24	24 VDC.
TEM Voltage: [VDC]		Nominal: 24 VDC, Max: 30 VDC.
TEM Current: [A]		Nominal: 9.4 A, Initial: 10.4 A. All at dT=0°C. Tolerance: ±10%.
Fan(s), cold side:	0	None.
Fan(s), warm side:	0	None.
Temperature controller, sensor:	0	None.
Temperature control settings, trim options:	0	-
Additional controller information:		
Temperature control position:	0	-
Options:	0	-
Overheating thermostat:		75°C ±5°C on hot side heat sink surface. Not wired in series with TEMs. Use it to control a relay.
Operating temperature:		Max. 62°C at nominal voltage.
TE-Module(s) temperature specification:		Max. surface temperature: 80°C.
Enclosed:		Turbulators fitted in liquid channels. 4xL-PNIPP-6-1/8
Packing:		Individual cardboard box.



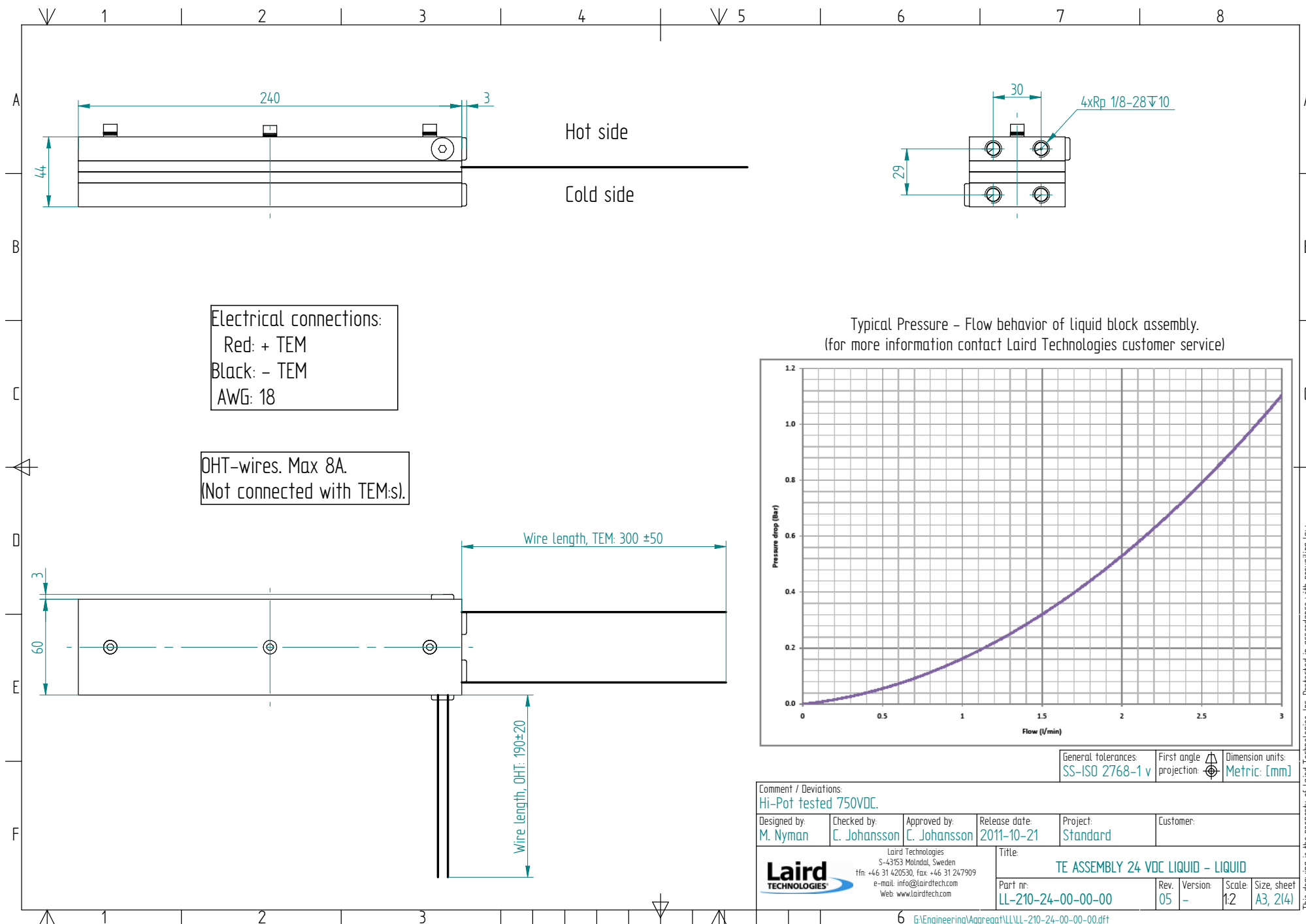
For overheating protection the cooler is equipped with a bimetal thermostat. The maximum rating for the thermostat is 8 A DC. For systems with 8 A or less the thermostat can be connected directly in series with the ThermoElectric Modules (TEMs). Otherwise connect the TEMs to the power source through a relay of suitable rating which state is controlled with the bimetal thermostat.

General tolerances: SS-ISO 2768-1 v	First angle projection: AS	Dimension units: Metric: [mm]
--	-------------------------------	----------------------------------

Comment / Deviations: Hi-Pot tested 750VDC.					
Designed by: M. Nyman	Checked by: C. Johansson	Approved by: C. Johansson	Release date: 2011-10-21	Project: Standard	Customer:
			Title: <b>TE ASSEMBLY 24 VDC LIQUID - LIQUID</b>		
Laird Technologies S-43153 Molndal, Sweden tfn: +46 31 420530, fax: +46 31 247909 e-mail: info@lairdtech.com Web: www.lairdtech.com			Part nr: LL-210-24-00-00-00	Rev: 05	Version: -
			Scale: 1:1	Size, sheet A3, 1(4)	

Note:  
Cooled liquid block needs to be isolated from air humidity to minimize risk for condensation and thermally insulated for best performance.

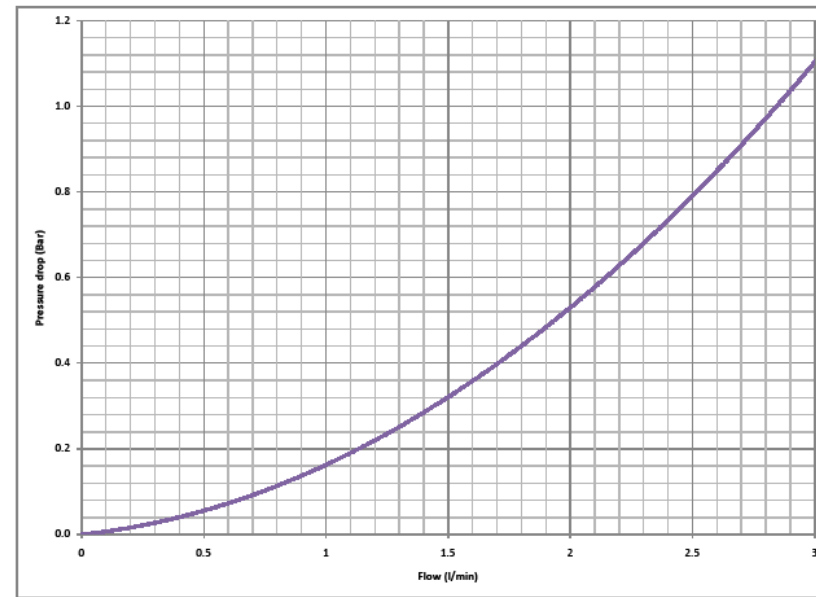
This drawing is the property of Laird Technologies, Inc. Protected in accordance with prevailing law.



Electrical connections:  
 Red: + TEM  
 Black: - TEM  
 AWG: 18

OHT-wires. Max 8A.  
 (Not connected with TEM:s).

Typical Pressure - Flow behavior of liquid block assembly.  
 (for more information contact Laird Technologies customer service)



General tolerances: SS-ISO 2768-1 v  
 First angle projection: Dimension units: Metric: [mm]

Comment / Deviations: Hi-Pot tested 750VDC.					
Designed by: M. Nyman	Checked by: C. Johansson	Approved by: C. Johansson	Release date: 2011-10-21	Project: Standard	Customer:
 Laird Technologies S-43153 Molndal, Sweden tfn: +46 31 420530, fax: +46 31 247909 e-mail: info@lairdtech.com Web: www.lairdtech.com			Title: <b>TE ASSEMBLY 24 VDC LIQUID - LIQUID</b> Part nr: <b>LL-210-24-00-00-00</b>		
Rev: 05	Version: -	Scale: 12	Size, sheet: A3, 2/4		