

## High Performance Heat Sinks

The Melcor Thermal Solutions bonded fin heat sinks are designed specifically for our thermoelectric devices. These high performance heat sinks are ideal for fan forced convection and are available with fan mount brackets. Each bonded fin heat sink is part of a series of matching components designed to work together as a complete thermoelectric system. The HX8-401 and HX8-402 models have assembly holes for mounting two thermoelectric coolers.

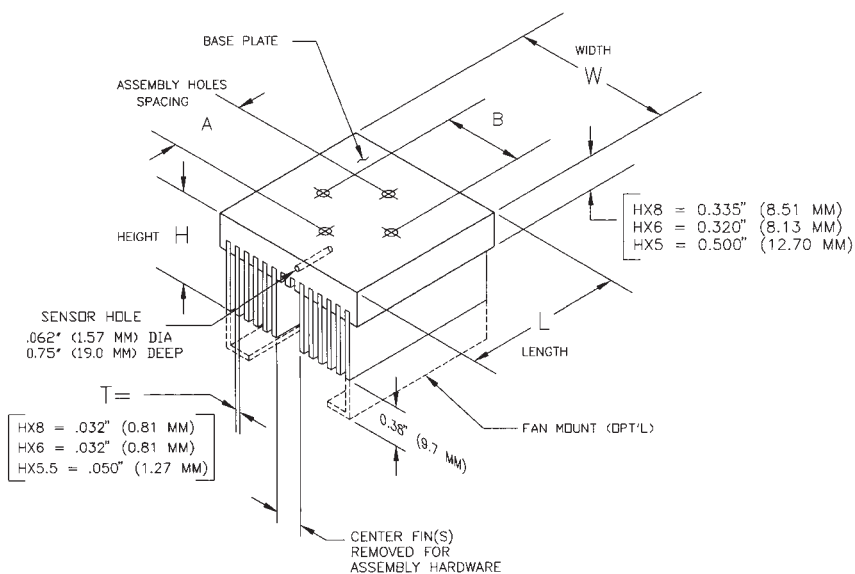
### Features

- High fin density (up to 8 fins/inch)
- Optional fan mount kit
- Machined Base
- Sensor hole for temperature monitoring
- Tapped or clearance holes
- (M3) tapped holes

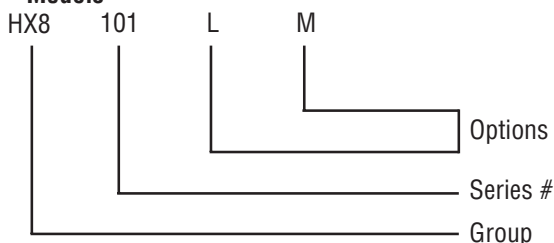
| Options | Description   |
|---------|---------------|
| L*      | Machined Base |
| M       | Metric Holes  |

\*Standard

### Mechanical Characteristics



### Models



| Model   | F<br>fins/in | Dimensions   |              |              | Assembly Holes |           |                       | Performance                      |
|---------|--------------|--------------|--------------|--------------|----------------|-----------|-----------------------|----------------------------------|
|         |              | W<br>in (mm) | L<br>in (mm) | H<br>in (mm) | A<br>Type      | B<br>Type | Spacing               | $\Theta_R$<br>°C/Watts           |
| HX8-101 | 8            | 2.0 (51)     | 2.0 (51)     | 1.25 (32)    | Tapped         | Tapped    | 1.5" O.C.             | 0.61 @ 6.7CFM                    |
| HX8-201 | 8            | 3.0 (76)     | 3.0 (76)     | 1.25 (32)    | Clearance      | Tapped    | 2.0" O.C.             | 0.34 @ 18CFM                     |
| HX8-202 | 8            | 4.0 (102)    | 4.0 (102)    | 1.25 (32)    | Clearance      | Tapped    | 2.0" O.C.             | 0.18 @ 45CFM                     |
| HX5-301 | 5.5          | 6.0 (152)    | 6.0 (152)    | 2.9 (74)     | Clearance      | Tapped    | 3.0" O.C.             | 0.07 @ 102CFM                    |
| HX8-401 | 8            | 3.0 (76)     | 6.0 (152)    | 1.25 (32)    | Clearance      | None      | 2.0" O.C.<br>(2 sets) | 0.19 @ 36CFM<br>(2 x 18CFM fans) |
| HX8-402 | 8            | 4.0 (102)    | 8.0 (203)    | 1.25 (32)    | Clearance      | None      | 2.0" O.C.<br>(2 sets) | 0.10 @ 90CFM<br>(2 x 45CFM fans) |