



Center hole modules

Center hole modules are used when light, wires or other hardware need to be transferred through the module.

We only stock a limited number of modules of this type. Let us know about the challenges of your application, and we'll make sure you get just the right module. In principle, all modules can be supplied with a center hole.

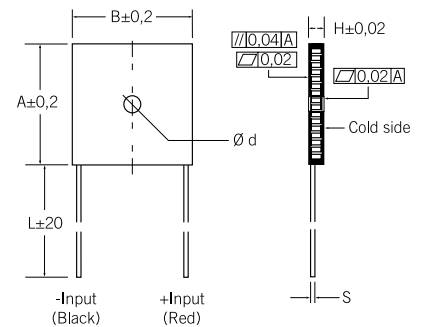
Operating temperature is max. 80°C.

Product No.	I _{max} (A)	U _{max} (V)	P _{cmax} (W)	ΔT _{max} (°C)	R _{AC} (ohm)	(mm)				S AWG #
						A, B, D	d	H	L	
Center hole modules										
PE-119-10-13HS ¹⁾	3.9	14.7	35.5	71	3.37	30	4.7	3.6	200	24
PE-125-14-11HS ¹⁾	8.5	15.6	81.5	70	1.46	40	4.7	3.8	300	20
PE-125-14-15HS ¹⁾	6	15.5	58.5	72	2.16	40	4.7	3.9	300	22
PE-014-14-25RH ²⁾	3.9	1.7	4.3	75	0.37	26	14	4.7	200	22
PE-032-14-15RH ²⁾	6	4.0	15	74	0.54	55 ³⁾	27	3.9	200	22
PE-038-10-13RH ²⁾	3.9	4.7	11.4	74	1.05	24	10	3.6	200	24

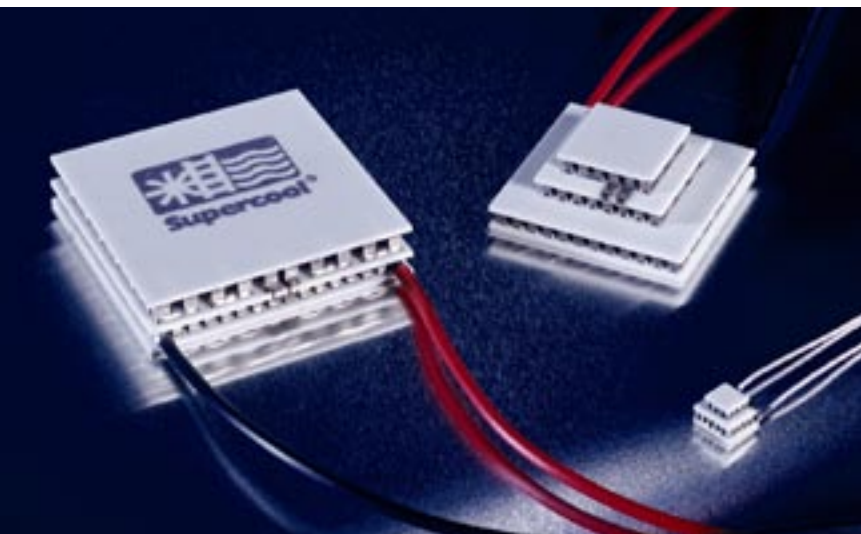
¹⁾ S = Silicon sealed versions.

²⁾ Round design. D = outer diameter and d = inner diameter.

³⁾ Outer diameter on warm side = 55 mm. Outer diameter on cold side = 44 mm.



- Lead wires are approved acc. to UL 1569.
- R_{AC} tolerance = ±10%
- Tolerance of I_{max}, U_{max}, Q_{max} = ±5%



Multistage modules

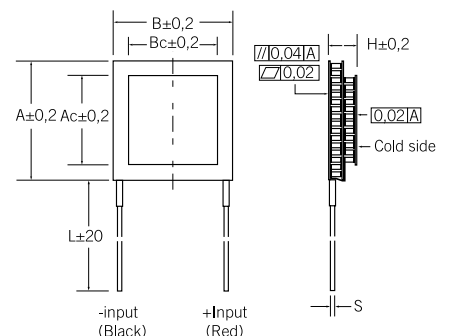
Thanks to superior material characteristics we can offer a range of truly outstanding multistage TEMs. If your system has to generate a ΔT above 50°C, you normally need a multistage module. Typical applications include CCD arrays, IR detectors and analytical instruments.

If you can't find the right TEM for your application, then feel free to put our designers to the test.

Operating temperature is max. 80°C.

Product No.	I _{max} (A)	U _{max} (V)	P _{cmax} (W)	ΔT _{max} (°C)	R _{AC} (ohm)	(mm)					S AWG #	
						Ac	Bc	A	B	H		L
Multistage modules												
PE-010-0606-1111	1.1	0.9	0.35	92	0.64	3.2	3.2	3.9	3.9	4.2	50	0.07 ¹⁾
PE-024-0606-1111	1.1	2.2	0.81	92	1.47	4.1	4.1	6.1	6.1	4.6	50	0.07 ¹⁾
PE-049-1010-1515	2.1	3.8	3.4	87	1.53	11.5	11.5	15	15	6.6	200	24
PE-049-1414-1515	4	3.8	3.7	87	0.83	15	15	20	20	7.2	200	22
PE-107-1010-1212	3	9.2	9.2	89	2.72	22.6	22.6	22.6	22.6	6.25	200	24
PE-190-1010-1212	2.8	15.7	16.4	87	4.78	30	30	30	30	6.5	200	24
PE-192-1420-1118	6.7	15.6	39.9	87	2.15	40	40	40	40	8.1	300	20
PE-192-1420-1525	4.4	16.0	27.3	88	3.03	40	40	40	40	8.1	300	22
PE3-070-20-25	6.5	6.5	3.0	118	0.93	14	8	36	36	16	200	22
PE3-119-14-15	3.9	8.0	7.5	100	2.09	15	15	30	30	10.4	200	22
PE3-119-20-15	8	8.2	14.9	100	0.97	22	22	44	44	12.9	200	20
PE3-231-10-15	1.9	15.5	6.9	104	7.22	15	15	30	30	9.5	200	24
PE4-115-14-15	3.5	7.6	2.6	122	1.95	14.5	4.5	33	24	13.8	200	22
PE4-129-10-15	1.8	8.2	1.9	115	3.83	8	8	23	23	12.5	200	24
PE5-257-10-15	1.5	14.5	2.0	123	7.9	8	8	30	30	15.4	200	24

1) Teflon insulated wire. Cross section in mm²



- Lead wires are approved acc. to UL 1569.
- R_{AC} tolerance = ±10%
- Tolerance of I_{max}, U_{max}, Q_{max} = ±5%