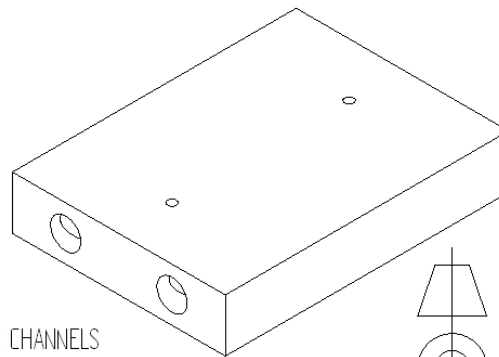
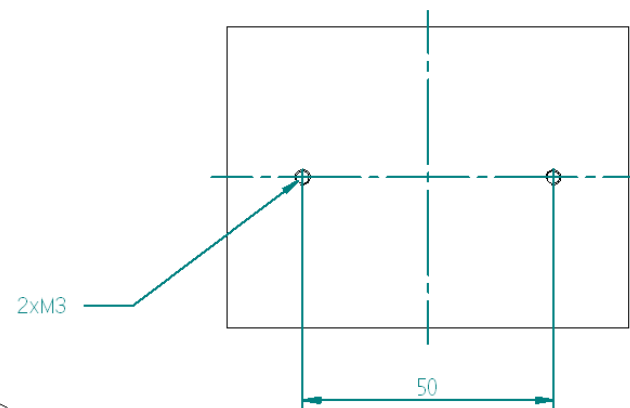


SECTION A-A



Note: Hole depth are depth with full diameter.

BEST POSSIBLE ANODISATION INSIDE THE CHANNELS

Material: EN AW-6101 profile: RPR-70502/PG47906	Treating: Anodisation, natural, 15µm	General tolerances: SS-ISO 2768-1 m	
Designed by: Pavel Cech	Approved by: Henrik Höjer	Date: 08-01-30	Customer: Supercool AB
Project: HD-PC mini		Title: HEAT SINK L HLO60	
Part nr: RPF-70230		Rev. nr: 1	Status: 0
Scale: 1:1		Size: sheet A3, 110	



Supercool AB
Box 27, S-4 0120 Döleborg, Sweden
tfn: +46 31 420530, fax: +46 31 247909
e-mail: info@supercool.se
Web: www.supercool.se