

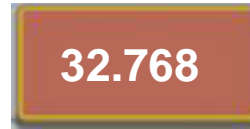


### Frequency Range:

32.768 kHz

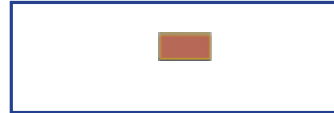
### Features:

- High Reliability & Low Cost Unit
- Compact Design
- RoHS Compliant



QUARTZ  
CRYSTALS

Actual Size



## ■ Standard Specifications

Item	P8 (3.2x1.5)
Frequency Range	32.768kHz
Equivalent Series Resistance (ESR)	70kΩ Max
Frequency Tolerance @ 25 °C	±20ppm (tighter tolerance also available)
Temperature Coefficient	-0.04ppm /°C <sup>2</sup> Max
Operating Temperature Range	-40 °C to +85 °C
Operable Temperature Range	-55 °C to +125 °C
Load Capacitance	7.0pF , 9.0pF , 12.5pF are standard
Drive Level	0.5μW Max
Shunt Capacitance	1.0pF Typ.
Aging	±3ppm/year Max

### Note:

1. Manufacturer reserves the right to change the specification and content of this product for improvement without notification.
2. Custom specification is welcome. Please contact our sales representative for further details.
3. If the crystal is intended for applications which have direct impact on human life and properties, and require a high degree of reliability and safety concerns, customers must provide full information such as but not limit to the application, electrical and reliability specification at the inquiry beginning stage.
4. Customers have to agree to the "Guideline for handling crystal units" and "Standard Terms and Condition of Sales" which is printed this catalog before placing orders to our company or our distributors. There are also unpredictable factors such as applied condition, oscillation margin and etc and customers must check them beforehand. In case of queries, please do not fail to send inquiry to our company before ordering.

<http://www.hongkongcrystal.com>

E-mail: China: [salescn1@hongkongcrystal.com](mailto:salescn1@hongkongcrystal.com)

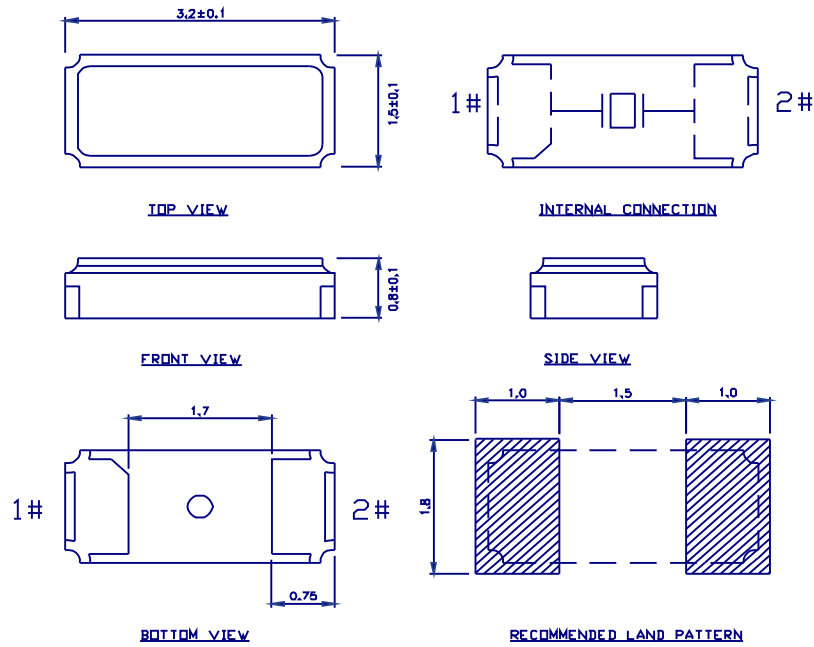
HongKong/Overseas: [inquiry@hongkongcrystal.com](mailto:inquiry@hongkongcrystal.com)

HongKong/Overseas: T:+852-35112388 F:+852-35112420

Shenzhen: T:+86-755-82540080 F:+86-755-82540036

Shanghai: T:+86-21-34250126 F:+86-21-34250126

■ Dimensions (mm)



■ Tape & Reel (mm)

