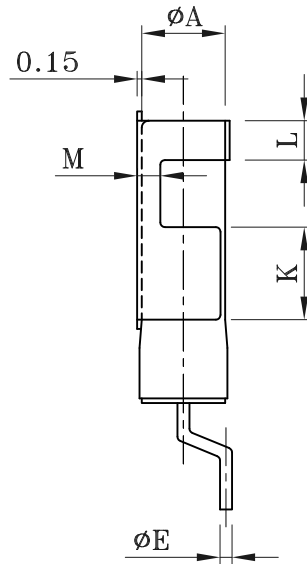
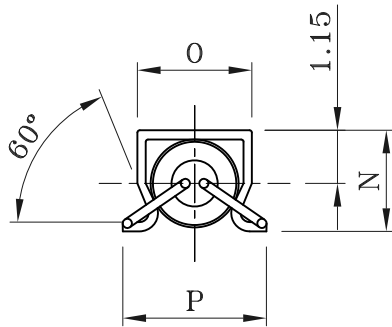


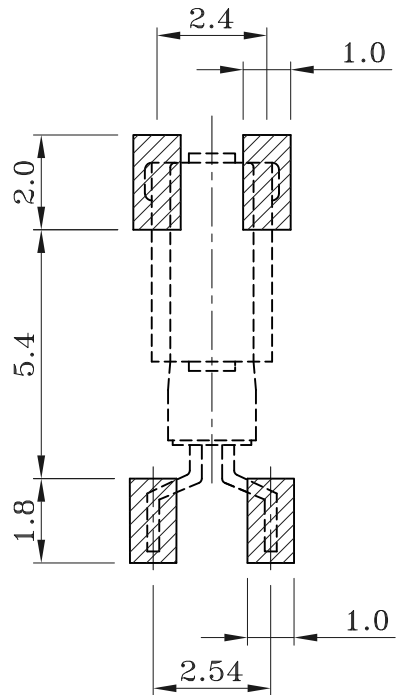
FRONT VIEW



SIDE VIEW



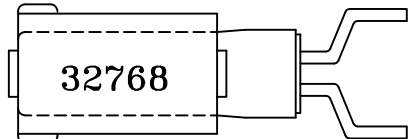
BOTTOM VIEW



RECOMMENDED LAND PATTERN

ITEM	DIMENSION
	ST
A	1.9±0.1
B	6.0 ±0.1
C	2.3 Max
D	2.54±0.3
E	ø0.26
F	1.3Max
G	8.4Max
H	0.7±0.1
I	4.3
J	1.0
K	2.0
L	0.85
M	0.5
N	2.2±0.1
O	2.5
P	2.7Max

MARKING INFORMATION



ITEM		QTY.		DIMENSION DETAILS		DESCRIPTION		MAT'L	HDN.	SURFACE	MAT'L SIZE	REMARK	
GENERAL TOLERANCE:				DATE		NAME			TITLE : 2T BEND LEAD WITH GULL WING				
X = ±0.5		X° = ±0.5°		DRAWN	26-02-10	Deng			PART No.: SJ				
.X = ±0.1		.X° = ±0.1°		CHECK	26-02-10	Hong			DRAWING No.: 12500056				
.XX = ±0.05		.XX° = ±0.05°		APROV.	26-02-10			SCALE: NA SHT. 1 OF 1 REV. 01					
PROPRIETARY NOTICE : THIS DRAWINGS AND SPECIFICATIONS ARE THE PROPERTY OF HKC.								HONG KONG X'TALS LTD.		DO NOT SCALE DRAWING ALL DIMENSIONS IN mm UNLESS OTHERWISE STATED			