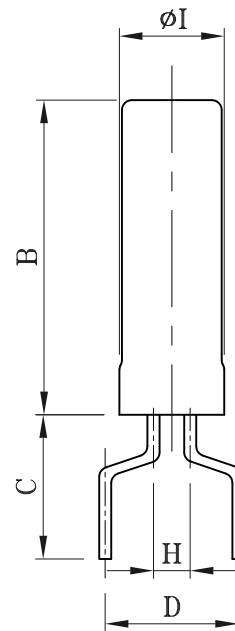
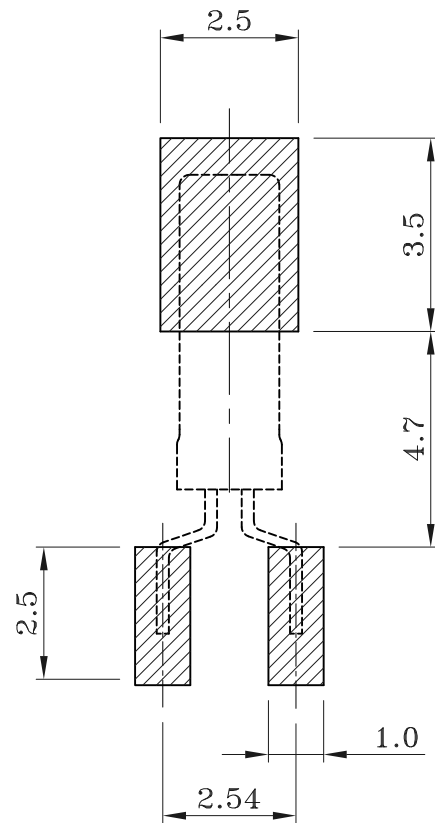


FRONT VIEW



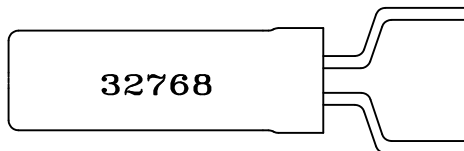
SIDE VIEW

DIMENSION	TYPE 2X6
A	$\phi 1.9 \pm 0.1$
B	6.0 ± 0.2
C	3.3 Max
D	2.54 ± 0.3
E	$\phi 0.25 \pm 0.05$
F	1.65 ± 0.3
G	0 ~ 0.30
H	0.7 ± 0.2
I	$\phi 2.0 \pm 0.2$



RECOMMENDED LAND PATTERN

MARKING INFORMATION



		DIMENSION DETAILS						
ITEM	QTY.	DESCRIPTION			MAT'L	HDN.	SURFACE	
GENERAL TOLERANCE:		DATE			NAME			
X = ±0.5 X° = ±0.5°		DRAWN	25-02-10		Deng			
.X = ±0.1 .X° = ±0.1°		CHECK	25-02-10		Hong			
.XX = ±0.05 .XX° = ±0.05°		APROV.	25-02-10				TITLE : 2x6 TUNING FORK (BEND LEAD)	
PROPRIETARY NOTICE : THIS DRAWINGS AND SPECIFICATIONS ARE THE PROPERTY OF HKC.					PART No.:		ST	
		HONG KONG X'TALS LTD.			DRAWING No.:		12035509	
DO NOT SCALE DRAWING		ALL DIMENSIONS IN mm UNLESS OTHERWISE STATED			SCALE: NA		SHT. 1 OF 1	
							REV. 07	