

**7.0 x 1.5mm PLASTIC MOLDED
32.768kHz SMD WATCH CRYSTAL
RoHS compliant**

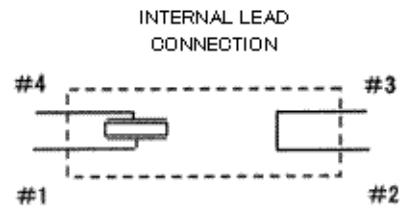
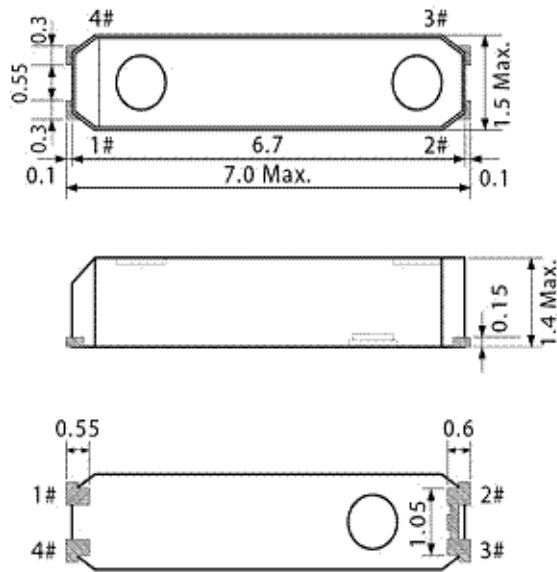
SX160AS

STANDARD SPECIFICATIONS

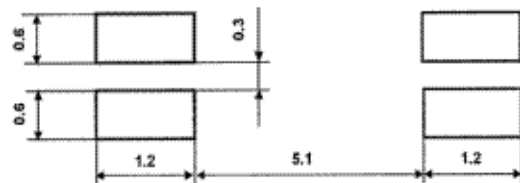
PARAMETERS	SPECIFICATIONS
Nominal Frequency	32.768kHz
Frequency Tolerance @25°C	±20ppm, ±30ppm, ±50ppm
Turnover Temperature	+25°C±5°C
Temperature Coefficient	(-3.5±1.0) X 10 ⁻⁸ /°C ²
Load Capacitance (CL)	7.0pF, 12.5pF
Operating Temperature Range	-40~+85°C
E.S.R.	65kΩ Max. (Note 1)
Recommended Drive Level	0.1μW
Maximum Drive Level	1.0μW
Shunt Capacitance (C0)	0.8pF Typ.
Storage Temperature Range	-55~125°C
Aging Per Year @25°C	±3.0ppm per 1st year at +25°C+3°C
Reflow Conditions	260°C Max. x 5 sec. Max.

ESR: 50kΩ Max. is also available.

DIMENSIONS (mm)



INTERNAL LEAD CONNECTION



RECOMMENDED SOLDER PAD LAYOUT

2013.12.26 Ver-3R2