

7.0 x 1.5mm PLASTIC MOLDED 32.768kHz SMD WATCH CRYSTAL (Low-CL Resonator for Low-Power Microcontrollers) RoHS compliant

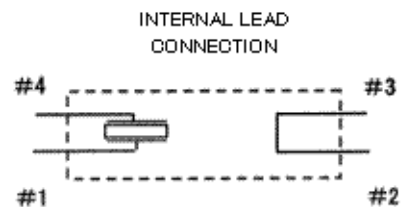
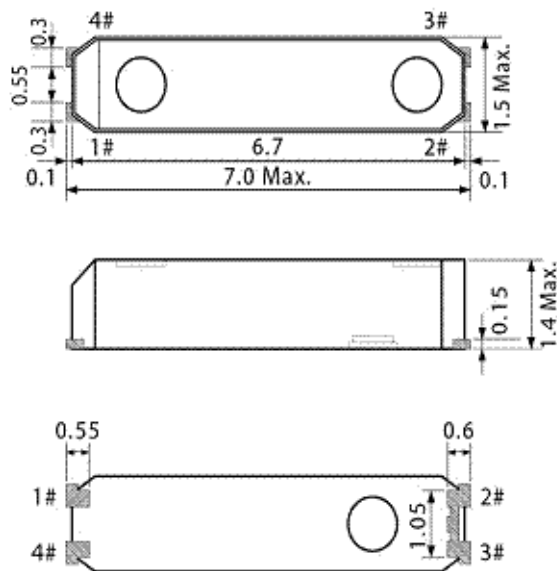
Consumes one tenth the standby power of general crystal resonators with a load capacitance of 12.5pF.
Ideal for use in battery operated devices where reduced standby energy consumption is critical.

SX160ASL

STANDARD SPECIFICATIONS

PARAMETERS	SPECIFICATIONS
Nominal Frequency	32.768kHz
Frequency Tolerance @25°C	±20ppm, ±50ppm
Turnover Temperature	+25°C±5°C
Temperature Coefficient	$(-3.5 \pm 1.0) \times 10^{-8}/^{\circ}\text{C}^2$
Load Capacitance (CL)	3.7pF, 4.4pF, 6.0pF
Operating Temperature Range	-40~+85°C
E.S.R.	65kΩ Max.
Recommended Drive Level	0.01μW
Maximum Drive Level	1.0μW
Shunt Capacitance (C0)	0.8pF Typ.
Storage Temperature Range	-55~125°C
Aging Per Year @25°C	±3.0ppm per 1st year at +25°C+3°C

DIMENSIONS (mm)



RECOMMENDED
SOLDER PAD LAYOUT

