

# Ceramic Resonator (High Frequency)

Type: ZTA-MG, MT, MX, 1.80~50MHz



## ■ Features

- Ultra Compact, Lightweight Design
- Resistance to Damage from Impact and Vibration
- Excellent Temperature Stability (+/-0.3%)
- Frequency Tolerance Up to +/-0.1% per Customer Request
- High Frequency Resonator Up to 50.00MHz

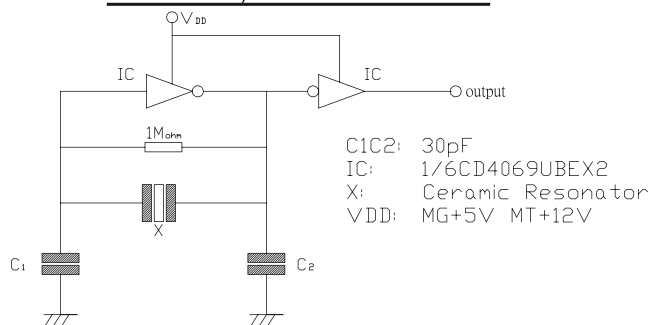
## ■ Standard Specification

	MG	MT	MX		
Frequency Range	1.80 ~ 6.0 MHz	6.0 ~ 13.0 MHz	13.01 ~ 20.0 MHz	20.1 ~ 25.99 MHz	26.0 ~ 50.0 MHz
Frequency Accuracy	±0.5%	±0.5%	±0.5%	±0.5%	±0.5%
Stability in Temperature (-20+80 °C)	±0.3%	±0.3%	±0.3%	±0.3%	±0.3%
Operating Temperature (°C)	-20~+80	-20~+80	-20~+80	-20~+80	-20~+80
Aging for Ten Years	±0.3%	±0.3%	±0.3%	±0.3%	±0.3%
Load Capacitance (pF) C1	30	30	30	15	5
Load Capacitance (pF) C2	30	30	30	15	5

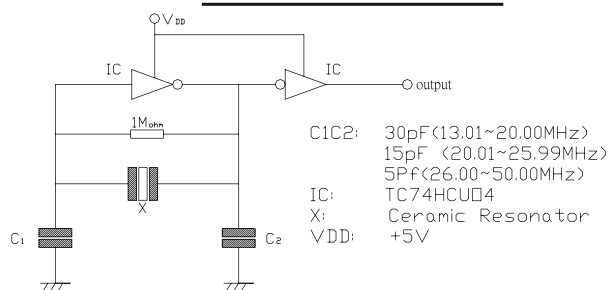
※ Specification subject to change without prior notice.

※ For any requirements other than the above table, please contact our sales.

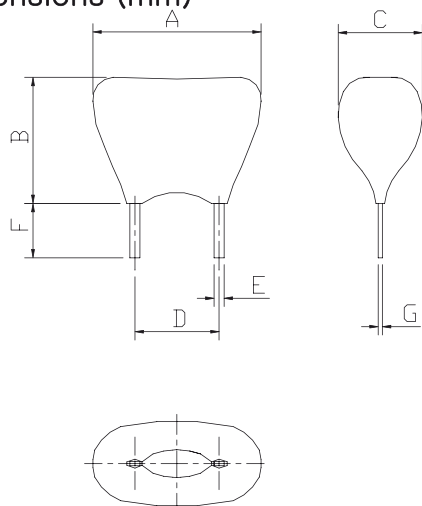
### ZTA-MG, MT Test Circuit



### ZTA-MX Test Circuit



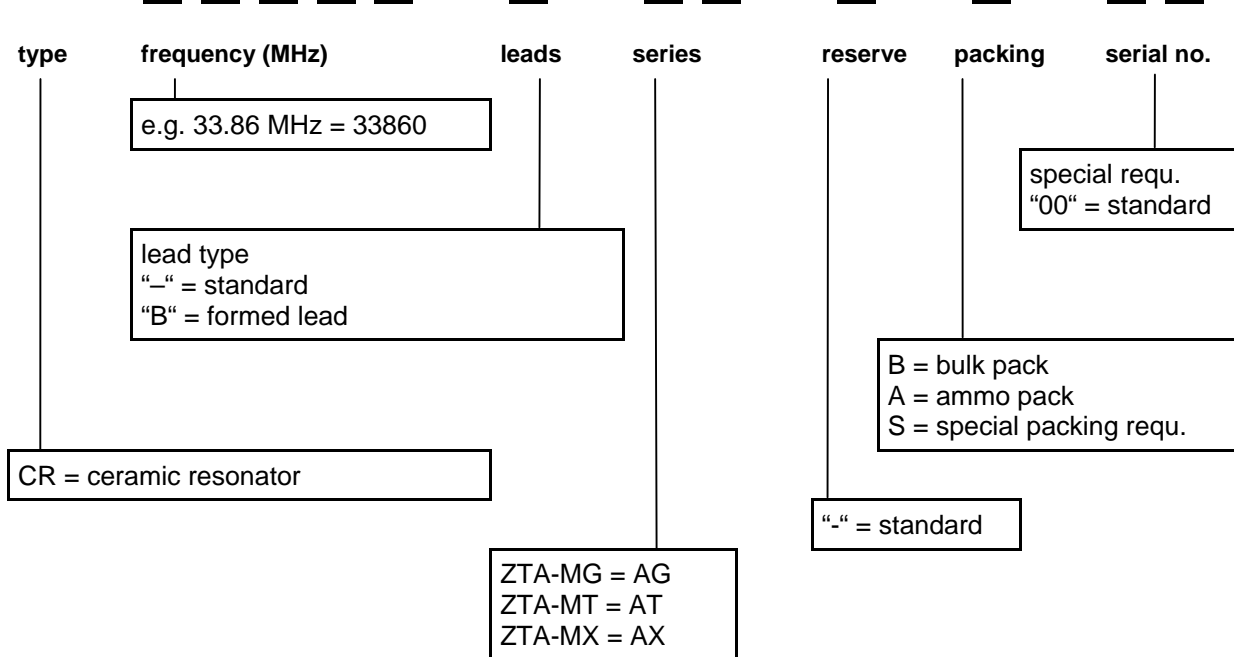
## ■ Dimensions (mm)



ITEM	ZTA-MG	ZTA-MT	ZTA-MX	
A	10.0 MAX	8.0 MAX	8.0 MAX	
B	7.5 MAX	10.0 MAX	13.01~23.99MHz	10.0 MAX
			24.00~31.99MHz	7.5 MAX
			32.00~50.00MHz	7.5 MAX
C	5.0 MAX	5.0 MAX	5.0 MAX	
D	5.0 ±0.3	5.0 ±0.3	5.0 ±0.3	
E	0.6 ±0.1	6.0 ±0.1	0.6 ±0.1	
F	5.0 ±0.1	5.0 ±1.0	5.0 ±0.1	
G	0.25 ±0.05	0.25 ±0.05	0.25 ±0.05	

## Order Code Ceramic Resonators Series ZTA

# CR



part number example:

ZTA-MG ceramic resonator 2,00 MHz, bulk pack =

## CR02000-AG-B00