

Ceramic Resonator (High Frequency)

Type: ZTT-MG, MT, MX, 1.80~50MHz



■ Features

- Built-in Load Capacitance
- Simplified Circuit
- Excellent Temperature Stability ($\pm 0.3\%$)
- Frequency Tolerance Up to $\pm 0.1\%$ per Customer Request
- High Frequency Resonator Up to 50.00MHz

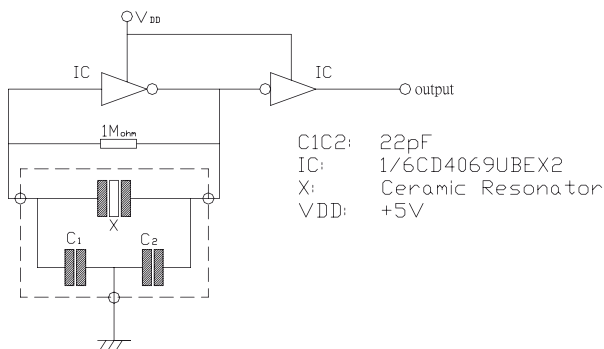
■ Standard Specification

	MG	MT	MX		
Frequency Range	1.80 ~ 6.0 MHz	6.0 ~ 13.0 MHz	13.01 ~ 20.0 MHz	20.1 ~ 25.99 MHz	26.0 ~ 50.0 MHz
Frequency Accuracy	$\pm 0.5\%$	$\pm 0.5\%$	$\pm 0.5\%$	$\pm 0.5\%$	$\pm 0.5\%$
Stability in Temperature ($-20+80\text{ }^{\circ}\text{C}$)	$\pm 0.3\%$	$\pm 0.3\%$	$\pm 0.3\%$	$\pm 0.3\%$	$\pm 0.3\%$
Operating Temperature ($^{\circ}\text{C}$)	$-20\sim+80$	$-20\sim+80$	$-20\sim+80$	$-20\sim+80$	$-20\sim+80$
Aging for Ten Years	$\pm 0.3\%$	$\pm 0.3\%$	$\pm 0.3\%$	$\pm 0.3\%$	$\pm 0.3\%$

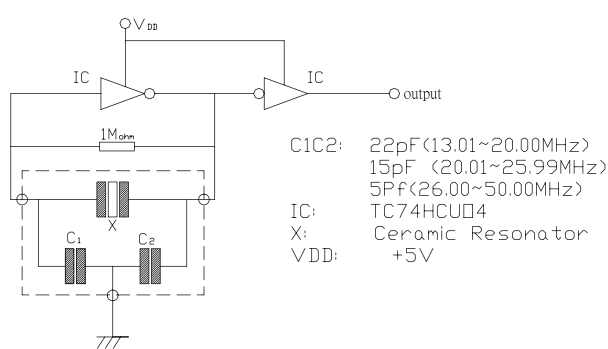
※ Specification subject to change without prior notice.

※ For any requirements other than the above table, please contact our sales

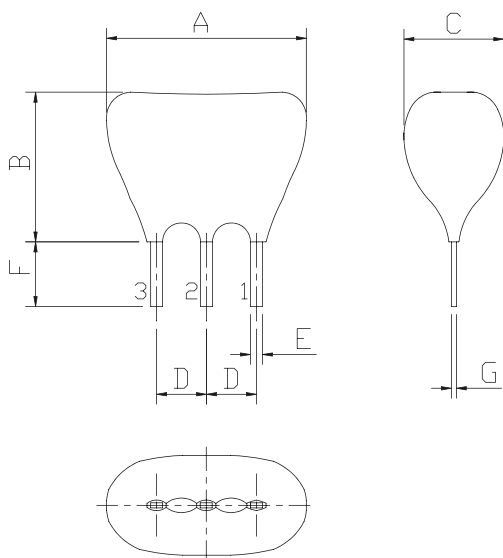
ZTT-MG, MT Test Circuit



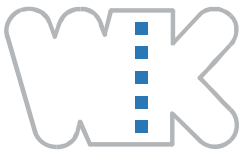
ZTT-MX Test Circuit



■ Dimensions (mm)

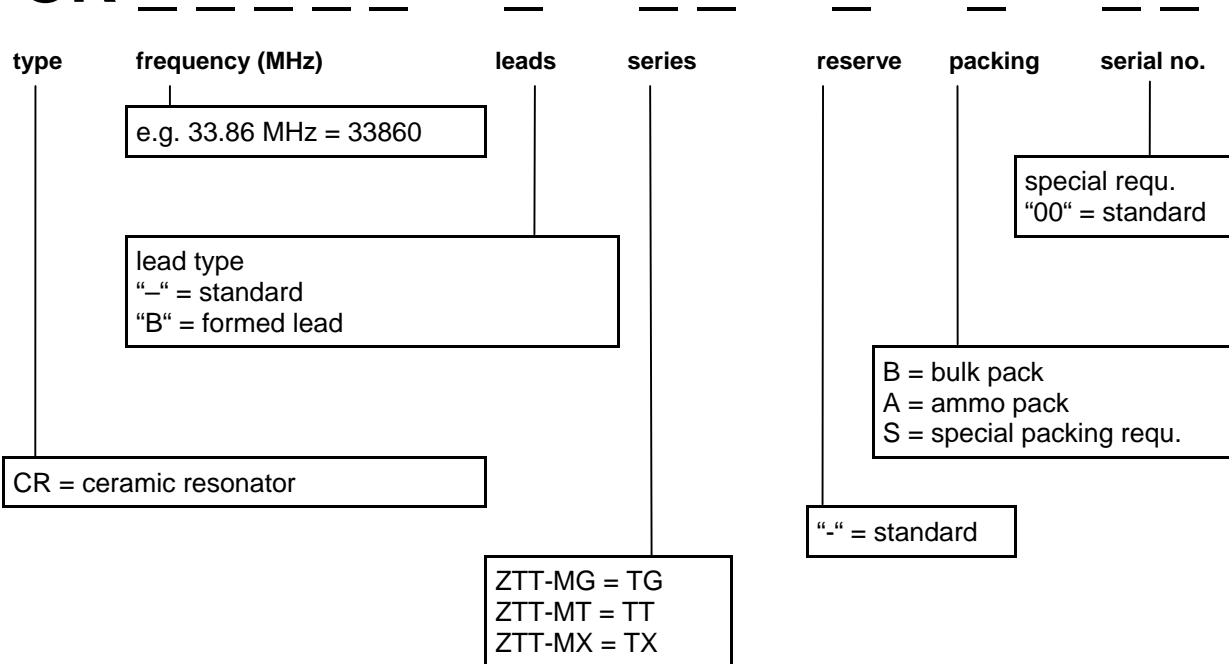


ITEM	ZTT-MG	ZTT-MT	ZTT-MX
A	10.0 MAX.	10.0 MAX.	10.0 MAX.
B	7.5 MAX.	10.0 MAX.	8.0 MAX.
C	5.0 MAX.	5.0 MAX.	5.0 MAX.
D	2.5 \pm 0.3	2.5 \pm 0.3	2.5 \pm 0.3
E	0.6 \pm 0.1	0.6 \pm 0.1	0.6 \pm 0.1
F	5.0 \pm 1.0	5.0 \pm 1.0	5.0 \pm 1.0
G	2.25 \pm 0.05	2.25 \pm 0.05	2.25 \pm 0.05



Order Code Ceramic Resonators Series ZTT

CR



part number example:

ZTT-MX ceramic resonator 16,00 MHz, bulk pack =

CR16000-TX-B00