

CONNECTORS MANUFACTURER



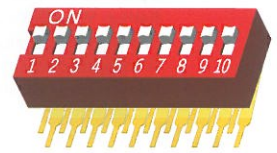
DIP Switch DIP 90° H=9.9mm

Specifications

Rating: 25mA 24V DC
 Insulation Resistance: 100 MΩ Min
 Withstand Voltage: AC 500 V 1 Minute
 Life Expectancy: 2,000 Cycles

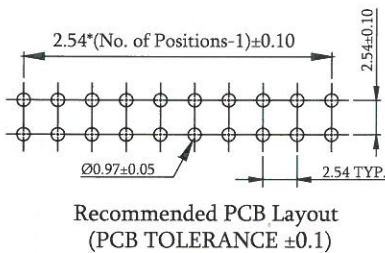
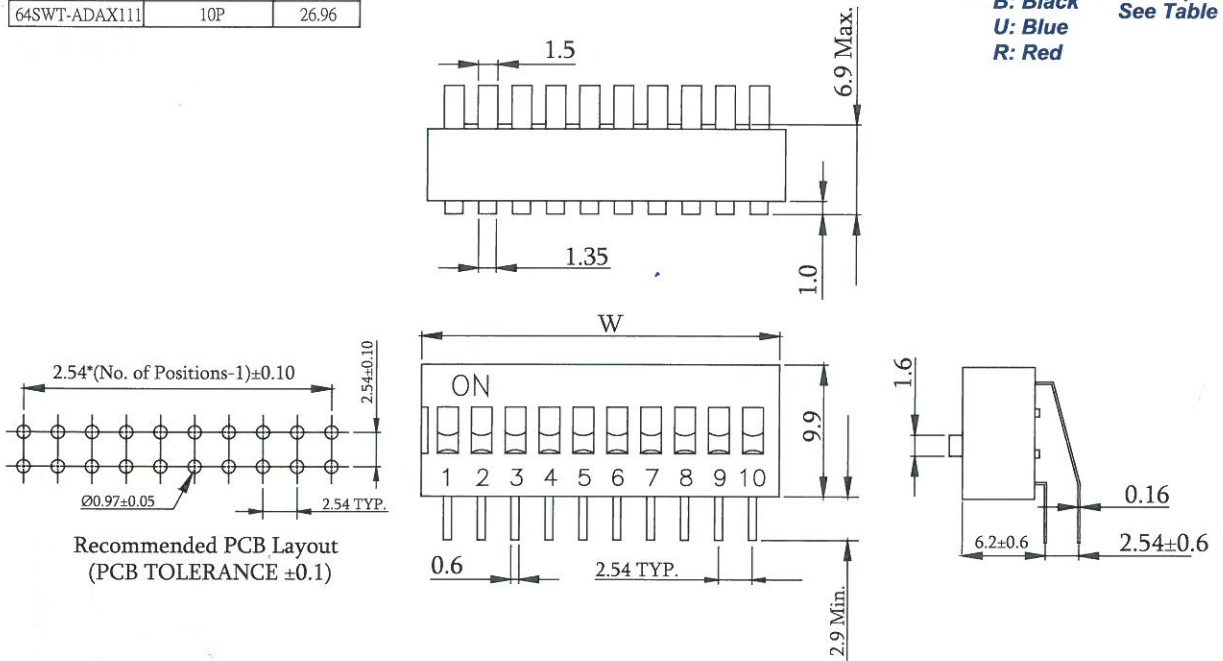
Table

	No. of Contacts	W
64SWT-AD2X115	02P	6.58
64SWT-AD4X118	04P	11.72
64SWT-ADAX111	10P	26.96



P/N.:64SWT-ADXXXXXX

B: Black
 U: Blue
 R: Red
 See Table



Recommended PCB Layout
 (PCB TOLERANCE ±0.1)

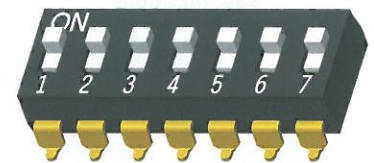
DIP Switch SMT 180° H=4.15mm

Specifications

Rating: 25mA 24V DC
 Insulation Resistance: 100 MΩ Min
 Withstand Voltage: AC 500 V 1 Minute
 Life Expectancy: 2,000 Cycles

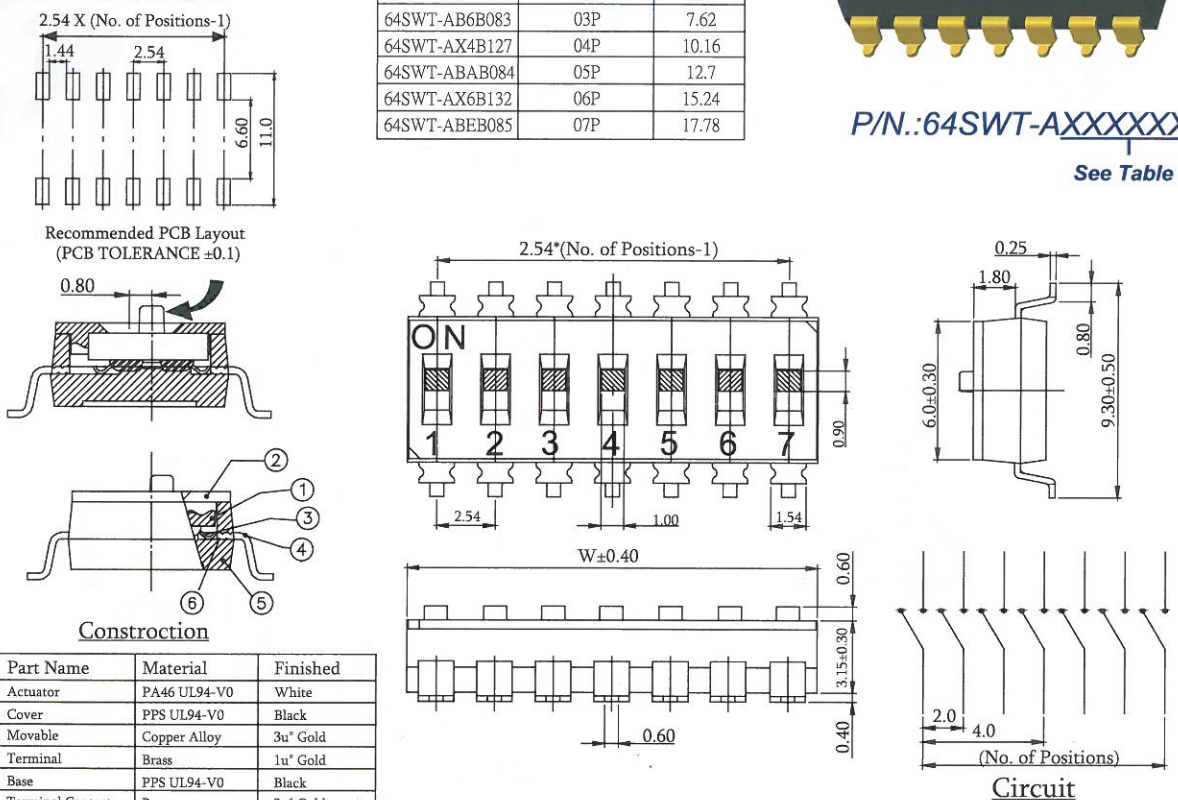
Table

	No. of Positions	W
64SWT-AX2B082	02P	5.08
64SWT-AB6B083	03P	7.62
64SWT-AX4B127	04P	10.16
64SWT-ABAB084	05P	12.7
64SWT-AX6B132	06P	15.24
64SWT-ABEB085	07P	17.78

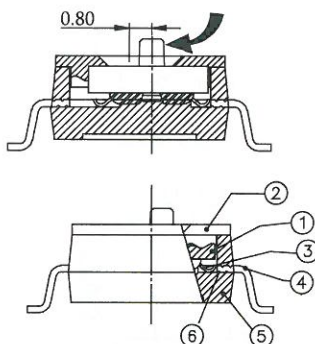


P/N.:64SWT-AXXXXXXX

See Table



Recommended PCB Layout
 (PCB TOLERANCE ±0.1)



Construction

Number	Part Name	Material	Finished
①	Actuator	PA46 UL94-V0	White
②	Cover	PPS UL94-V0	Black
③	Movable	Copper Alloy	3u" Gold
④	Terminal	Brass	1u" Gold
⑤	Base	PPS UL94-V0	Black
⑥	Terminal Contact	Brass	3u" Gold

Dip Switch



RoHS