

SPECIFICATIONS

CONTACT RATING: Dependent upon contact material See Page 68.

MECHANICAL LIFE: 30,000 make-and-break cycles.

CONTACT RESISTANCE: 20 mΩ max. initial @ 2-4VDC
100mA for both silver and gold plated contacts.

INSULATION RESISTANCE: 1,000 MΩ min.

DIELECTRIC STRENGTH: 1,000 Vrms min. @sea level.

OPERATING TEMPERATURE: -30°C to 85°C.

MATERIALS

CASE: Diallyl phthalate (DAP) (UL94v-0).

ACTUATOR: Nylon,black std.

BUSHING: Brass or Zinc,nickel plated.

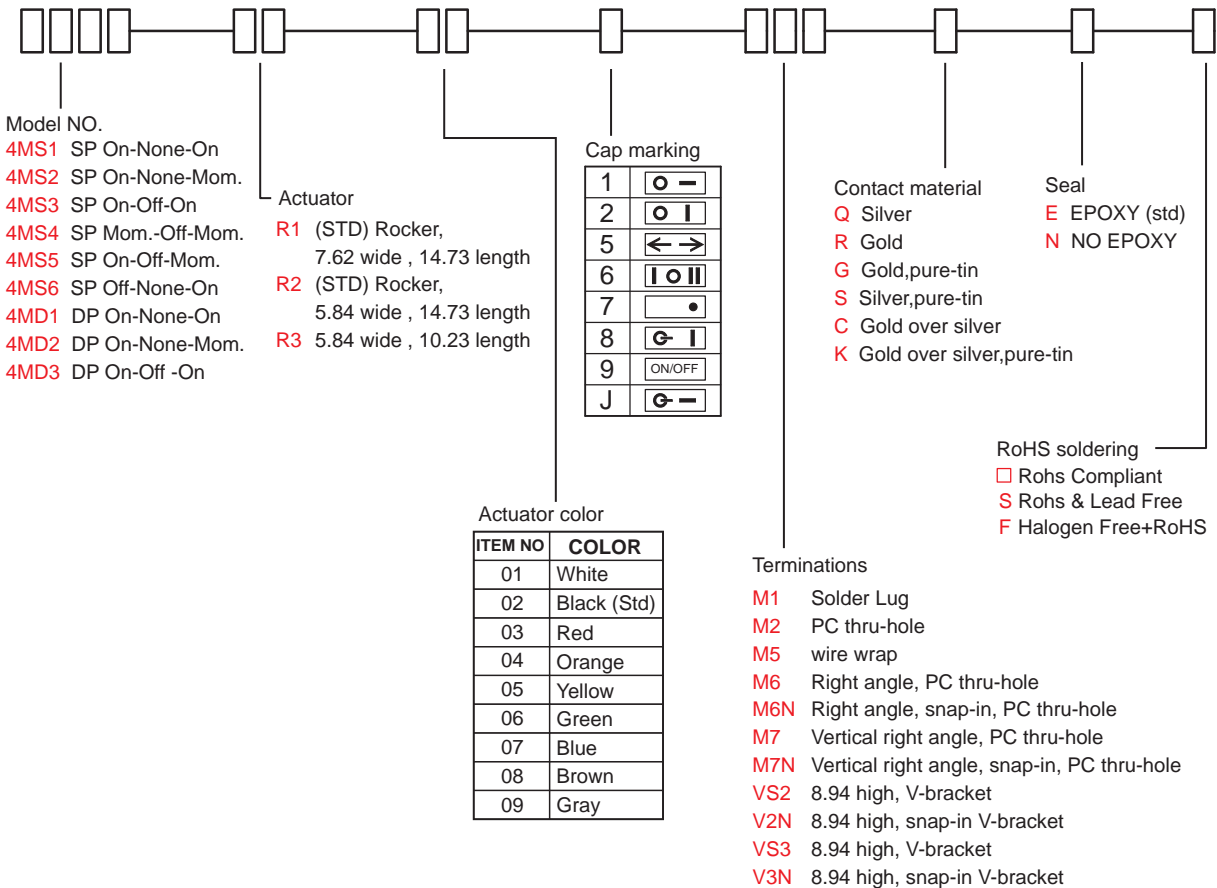
HOUSING: Stainless Steel.

SWITCH SUPPORT: Brass,tin plated.

TERMINAL/CONTACT: Brass,with silver or gold .(See Page 68)

HOW TO ORDER

MODEL NO. ACTUATOR ACTUATOR COLOR CAP MARKING TERMINATIONS CONTACT MATERIAL SEAL RoHS SOLDERING



SWITCH FUNCTION

NO. POLES	UL/CSA MODEL NO.	MODEL NO.	SWITCH FUNCTION			CONNECTED TERMINALS / SCHEMATIC		
			POS.1	POS.2	POS.3	POS.1	POS.2	POS.3
SP	Q2411	4MS1	ON	NONE	ON	2-3	N/A	2-1
	Q2412	4MS2	ON	NONE	MOM			OPEN
	Q2413	4MS3	ON	OFF	ON			
	Q2414	4MS4	MOM	OFF	MOM			
	Q2415	4MS5	ON	OFF	MOM			
	Q2416	4MS6	OFF	NONE	ON	OPEN	N/A	3-1
DP	Q2421	4MD1	ON	NONE	ON	2-3,5-6	N/A	2-1,5-4
	Q2422	4MD2	ON	NONE	MOM		OPEN	
	Q2423	4MD3	ON	OFF	ON			

MOM=MOMENTARY



4M
Rocker Switches

POLE OPTIONS

.250
6.35

1.095
27.81

.850
21.59

ø.093
ø2.36

.016
0.41

EPOXY SEAL

.020
0.51

.100
2.54

.110
2.79

.160
4.06

.324
8.23

.437
11.10

.332
8.43

.200
5.08

.320
8.13

.060
1.52

SPDT

Part No. Shown : 4MS1R102M1QE

.250
6.35

1.095
27.81

.850
21.59

ø.093
ø2.36

.016
0.41

EPOXY SEAL

.020
0.51

.100
2.54

.110
2.79

.160
4.06

.324
8.23

.437
11.10

.332
8.43

.360
9.14

.320
8.13

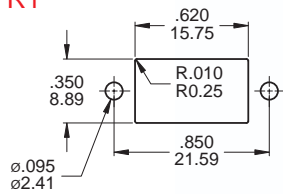
.060
1.52

DPDT

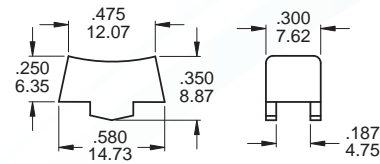
Part No. Shown : 4MD1R102M1QE

ACTUATOR OPTIONS - PANEL MOUNT

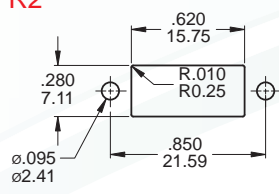
R1



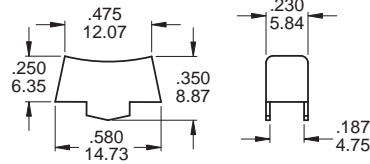
PANEL MOUNTING-R1



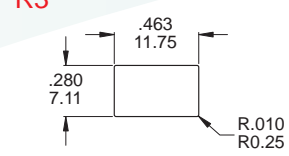
R2



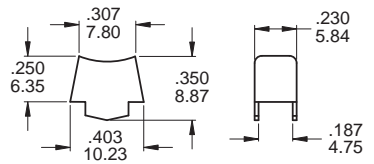
PANEL MOUNTING-R2



R3

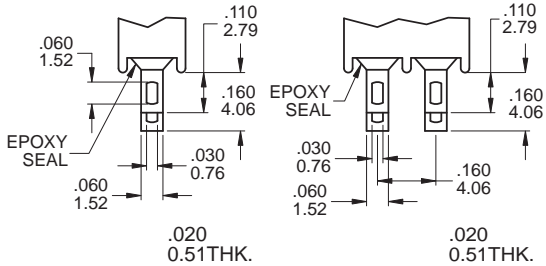


PANEL MOUNTING-R3



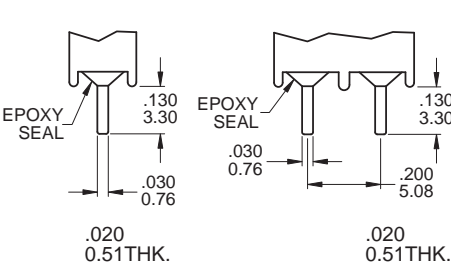
TERMINATION OPTIONS

M1 Solder lug



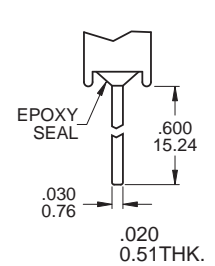
Double Pole

M2 PC Thru-hole

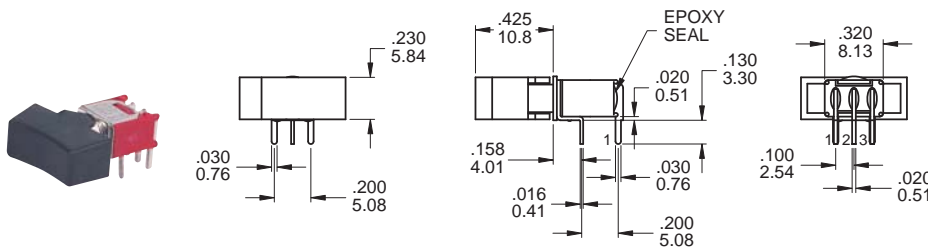


Double Pole

M5 Wire Wrap



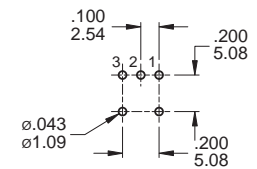
M6



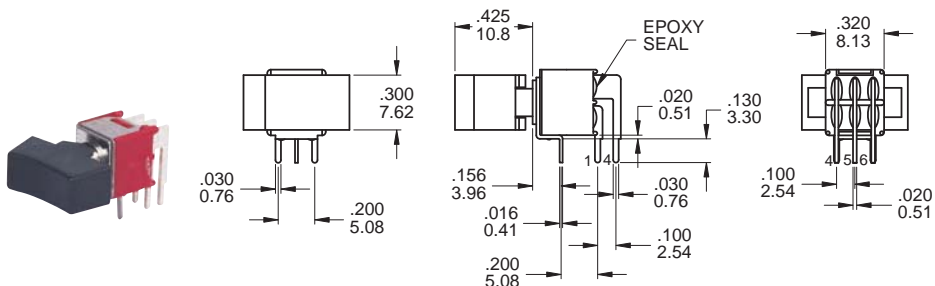
SPDT

Part No. Shown : 4MS1R202M6QE

P.C. MOUNTING



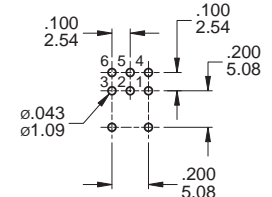
M6



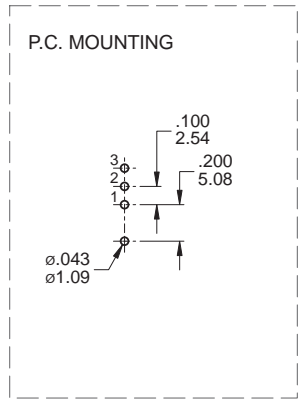
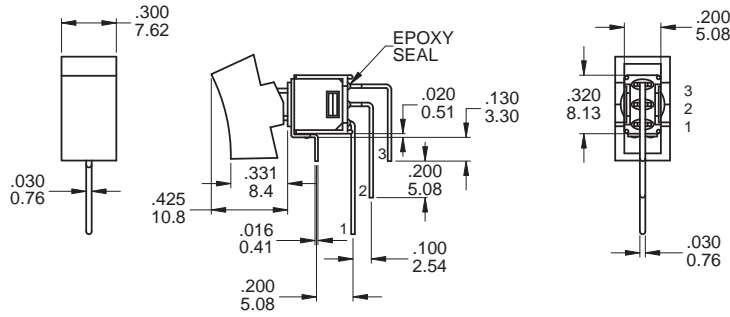
DPDT

Part No. Shown : 4MD1R102M6QE

P.C. MOUNTING



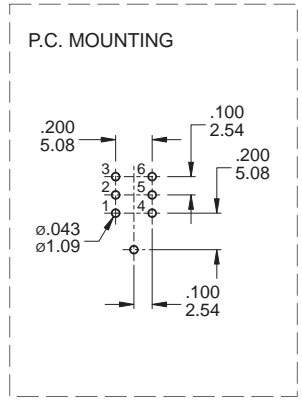
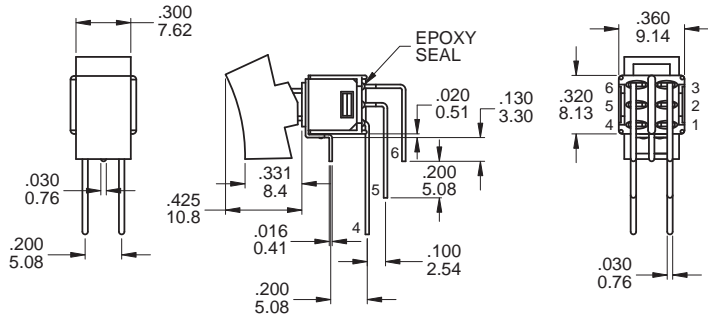
M7



SPDT

Part No. Shown : 4MS1R102M7QE

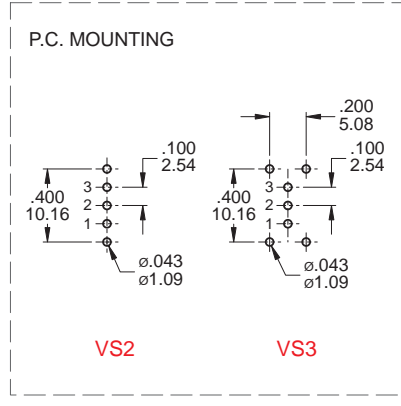
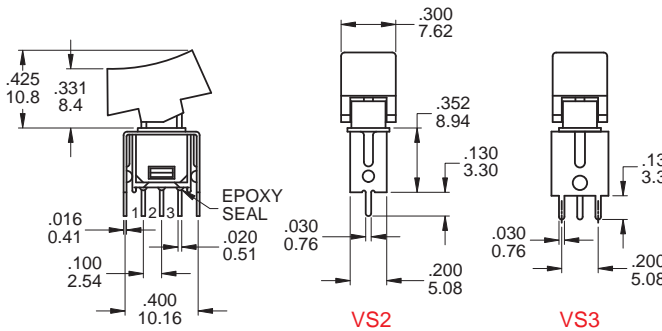
M7



DPDT

Part No. Shown : 4MD1R102M7QE

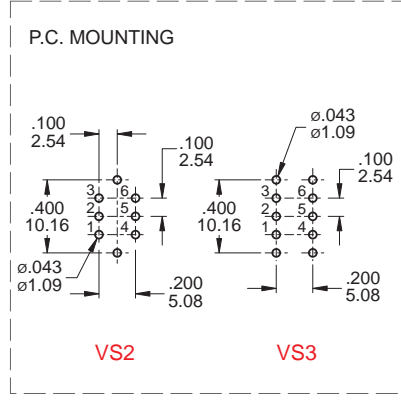
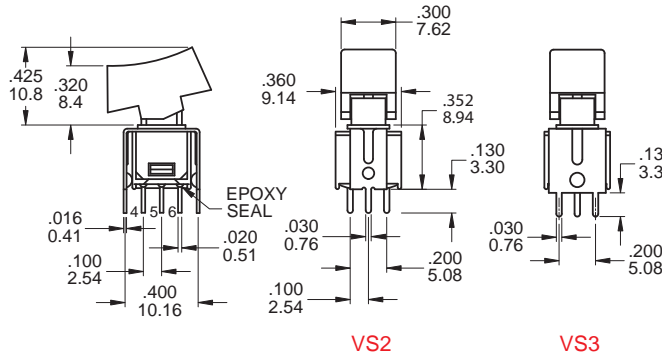
VS2 - VS3



SPDT

Part No. Shown : 4MS1R102VS2QE

VS2 - VS3



DPDT

Part No. Shown : 4MD1R102VS2QE



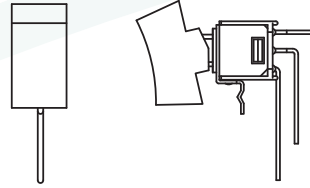
4M
Rocker Switches

SNAP-IN TERMINATION OPTIONS

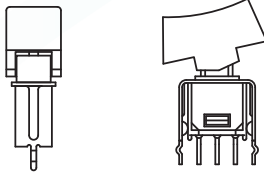
M6N



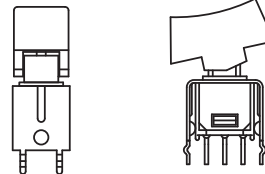
M7N



V2N



V3N



CONTACT MATERIAL OPTIONS

	CONTACT PLATING	TERMINAL PLATING	RATINGS
Q	Silver	Q = Silver	3 Amps with resistant load @ 120VAC or 28VDC 1 Amps with resistant load @ 250VAC
S		S = Silver,pure - tin	
C	Gold over Silver	C = Gold over silver	0.4 Volt - Amps (VA) max. @ 20V max. (AC or DC)
K		K = Gold over silver,pure - tin	
R	Gold	R = Gold	
G		G = Gold,pure - tin	

SOLDERING PROCESSES

MANUAL SOLDERING: Use soldering iron of 30 watts, controlled at 350°C approximately 5 seconds while applying solder.

WAVE SOLDERING: Recommended Soldering Temperature: 260 ± 5°C

Duration of Solder Immersion: Max 5 sec. (PCB is 1.6mm in thickness)

