



SPECIFICATIONS

CIRCUIT: SPST

FUNCTION: Momentary

CONATE RATING: 50 mA @ 12V DC.

OPERATING FORCE: 350 gf ±100gf.

TOTAL TRAVEL: 0.25mm ± 0.10mm

MECHANICAL LIFE: 100,000 make-and-break cycles.

CONTACT RESISTANCE: 100mΩ max. initial

INSULATION RESISTANCE: 100MΩ min.

DIELECTRIC STRENGTH: 250 V RMS @ sea level.

OPERATING TEMPERATURE: -25C to70C.

* Washable

MATERIALS

CASE: Glass filled Nylon 6/6(UL 94-V0).

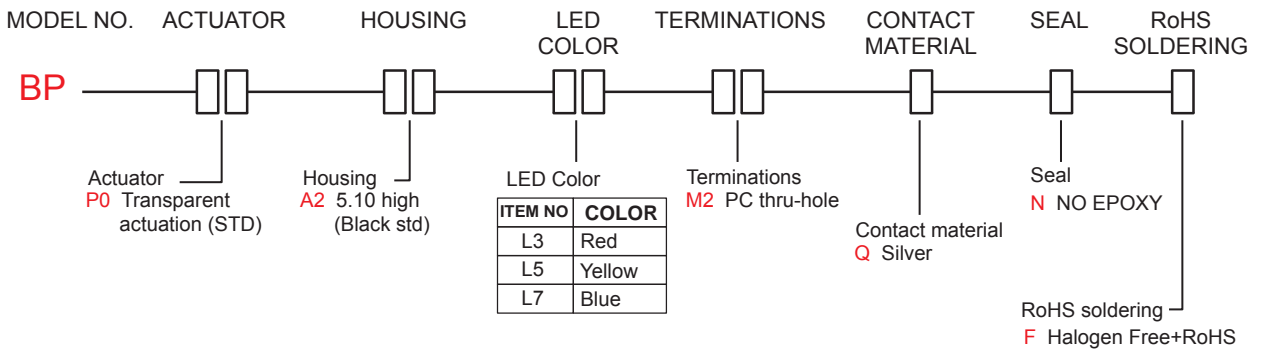
HOUSING: Glass filled Nylon 6/6(UL 94-V0).

ACTUATOR: PC.

TERMINAL/CONTACT: Brass,Silver plated.

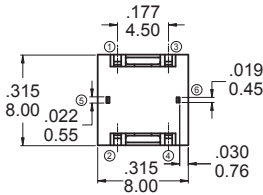
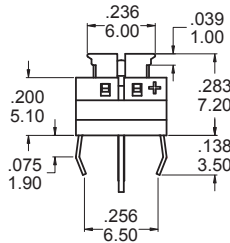
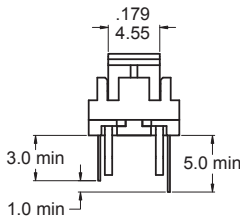


HOW TO ORDER

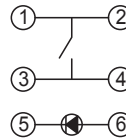
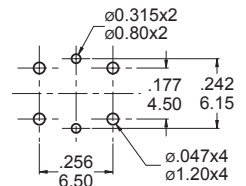


BP
Tact Switches

DIMENSION



P.C. MOUNTING



CIRCUIT

WITH LED ELECTRO-OPTICAL DATA

* The LED specification for reference only

Lens Appearance	Color	Electro-potical Data (AT 20mA)				Peak Wavelength
		Vf (V)		Iv (mcd)		
		Typ.	Max.	Typ.	Min.	
Water Clear	Red	2.0	2.5	700	200	645
	Yellow	2.1	2.6	1400	715	590
	Blue	3.2	3.6	600	317	470

