

## HOW TO ORDER

### SPECIFICATION

**Rating:** 10A 250VAC, 15A 125VAC

**Insulation resistance:** DC 500V 200MΩ or more

**Contact resistance:** DC 24V 1A 20mΩ or less

**Withstand voltage:** AC 1500V OR MORE

PU □ □ □ □ - □ □

MODEL NO.: 703  
703A  
703B  
704-1  
704-1A  
705  
705A  
705B  
706-1  
706-1A

TERMINATIONS: H1  
H2  
H3  
H4  
H5

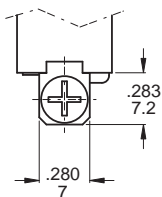
## SWITCH FUNCTION

NO. POLES	MODEL NO.	SWITCH FUNCTION		CONNECTED TERMINALS	
		POS.1	POS.2	POS.1	POS.2
SPST	PU703	ON	OFF	1-3	—
	PU703A	OFF	(ON)	1-3	—
	PU703B	ON	(OFF)	1-3	—
SPDT	PU704-1	ON	ON	1-2	2-3
	PU704-1A	ON	(ON)	1-2	2-3
DPST	PU705	ON	OFF	1-3,4-6	—
	PU705A	OFF	(ON)	1-3,4-6	—
	PU705B	ON	(OFF)	1-3,4-6	—
DPDT	PU706-1	ON	ON	1-2,4-5	2-3,5-6
	PU706-1A	ON	(ON)	1-2,4-5	2-3,5-6

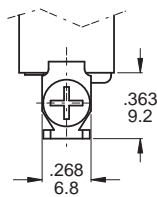
( )=MOMENTARY

## TERMINATION OPTIONS

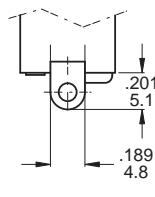
H1



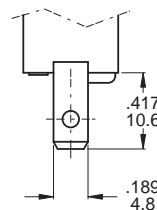
H2



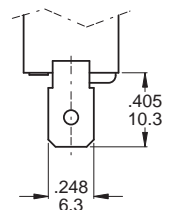
H3

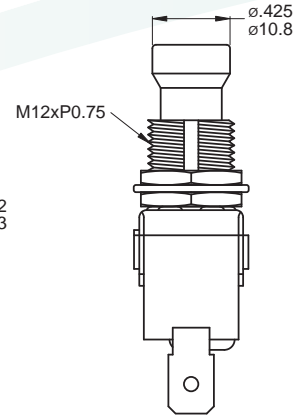
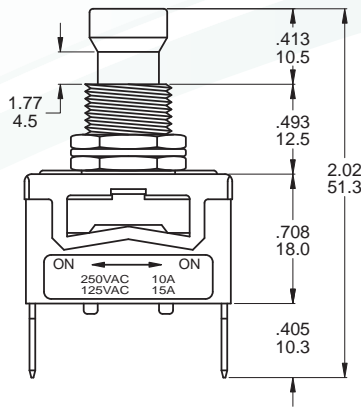
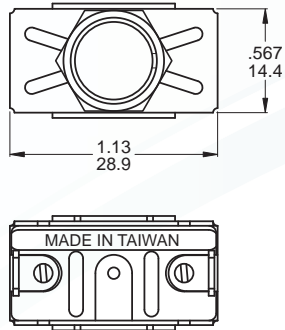


H4

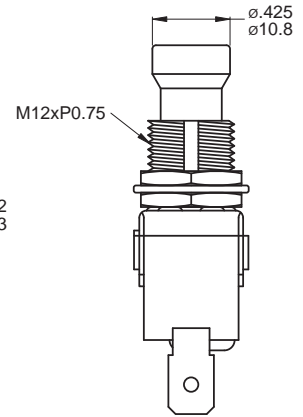
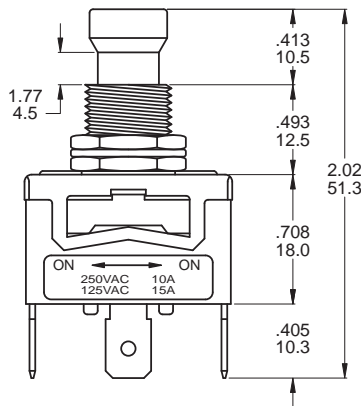
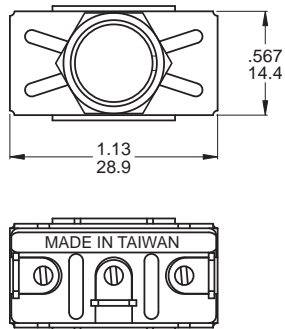


H5

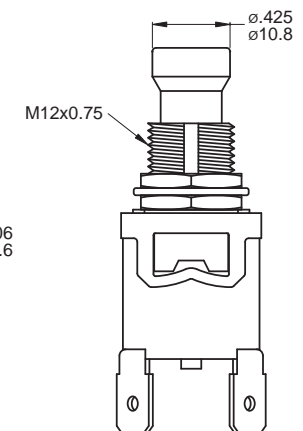
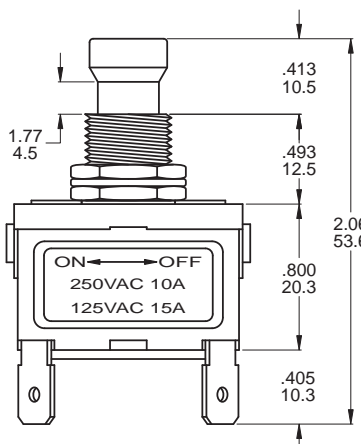
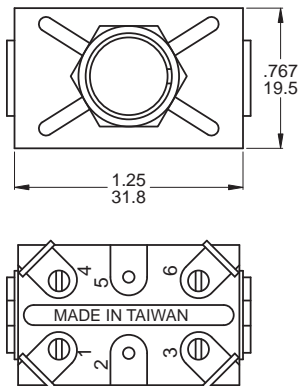




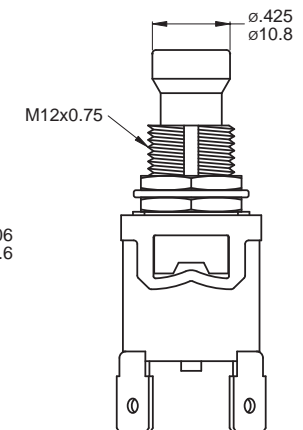
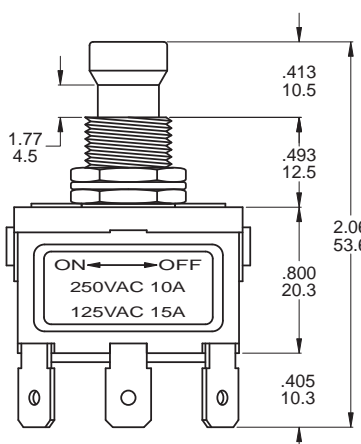
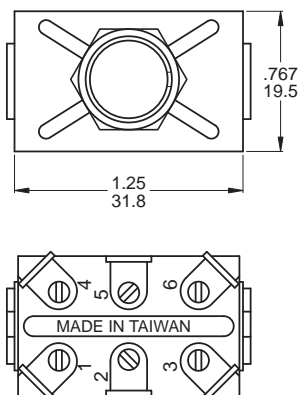
**SPST**  
**PU703-H5**



**SPDT**  
**PU704-1-H5**



**DPST**  
**PU705-H5**



**DPDT**  
**PU706-1-H5**