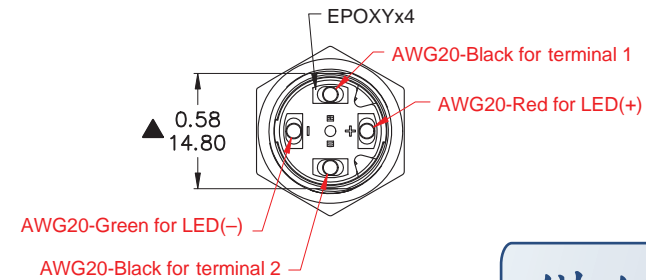
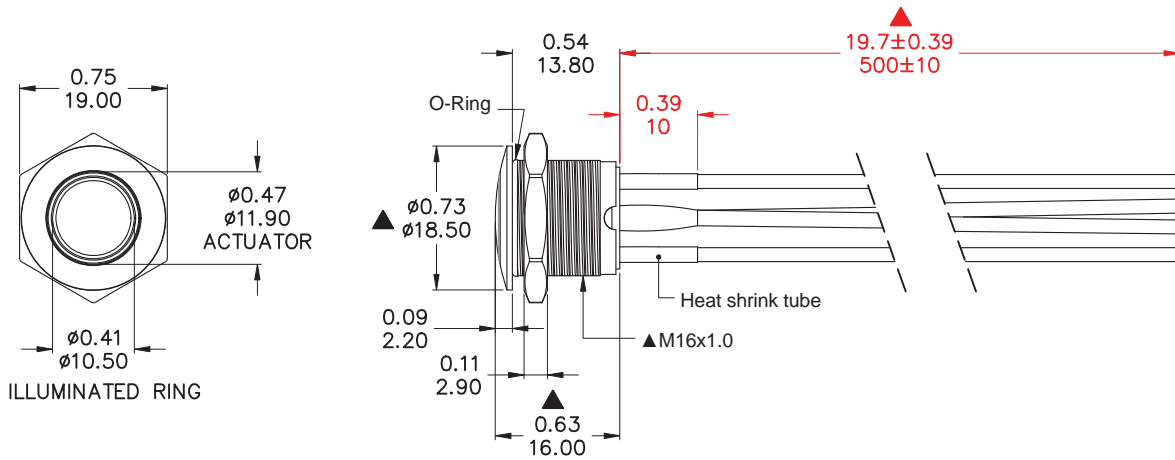
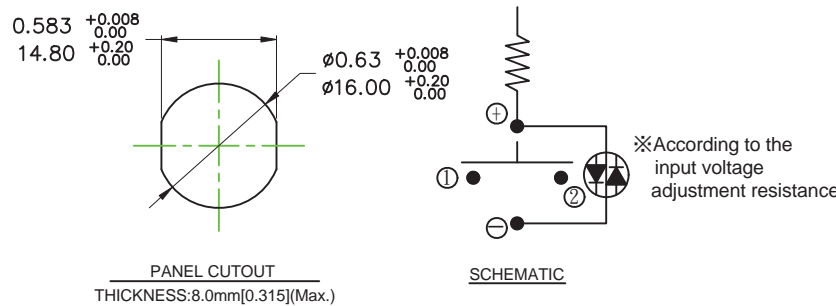


本公司智慧財產，未經同意不得複製  
DAILYWELL copyright, may not be used  
without permission from DAILYWELL



僅供參考

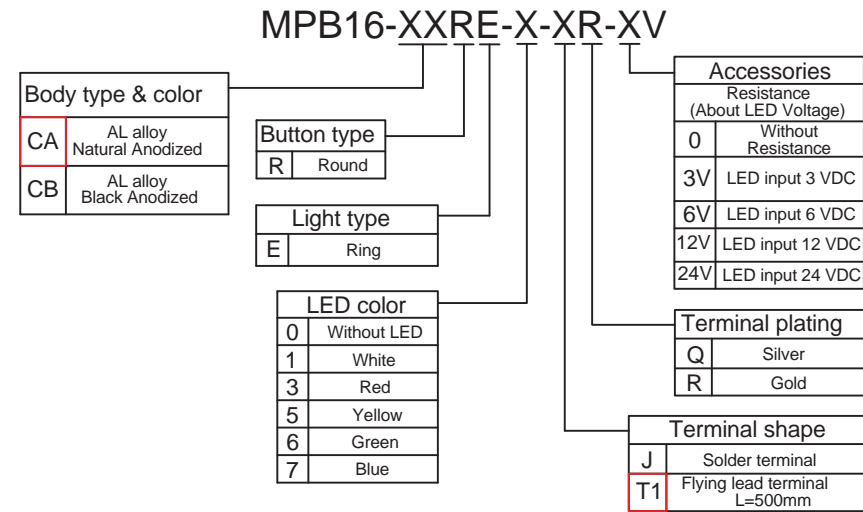


Specifications :

- Rating : 2A/36VDC.
- Electrical Life : 200,000 Make-And-Break Cycles At Full Load.
- Mechanical Life : 1,000,000 Cycles.
- Insulation Resistance : 1,000 MΩ Min. at 500VDC.
- Dielectric Strength : 2,000V RMS@sea level.
- Contact Resistance : 150 mΩ Max.
- Operation Pressure : -20~+70°C.
- Travel : About 2.0mm±0.20mm
- Operation Pressure : 4.5N±1.5N.
- Ingress Protection : IP67.
- Torque : 11.5 kgf. cm.
- Current limiting resistor is required to limit LED forward current to 20mA.

PANEL CUTOUT  
THICKNESS:8.0mm[0.315](Max.)

MATERIAL :  
Bushing : Aluminum alloy.  
Base : PBT(Blue UL-94V0).  
Actuator : PC(Translucent UL-94V2).  
Cap : Aluminum alloy.  
Spring : Steel.  
Sealing : Silicone(Translucent).  
O-ring : Silicone(Translucent).  
Nut : SPCC(Nickel Plated).  
Terminal : Copper,Gold Plated.  
Contact : Silver alloy.  
Multi-wire lead AWG20,section 0.6mm<sup>2</sup>,UL approved



德利威電子股份有限公司  
DAILYWELL ELECTRONICS CO.,LTD.

符號	原尺寸	修改後尺寸	變更日期	SCALE (比例): 1:1	TITLE 圖名	Metal push button switch+Wire	SIZE 圖紙	A4		
1	(A)			TOLERANCE(公差): 0.00 mm ± 0.25mm 0.0 mm ± 0.40mm ANGULAR: ±5° FILE NAME : TEST-1022	DWG NO. 圖號	TEST-1022	UNIT 單位	inch mm		
2	(B)				REV. 版本	R01	DATE 日期	JUL - 09 - 2015	SHEET 張數	1 of 1
3	(C)				CHECKED BY 審核	RICHARD	DRAWN BY 製圖	IRENE		
4	(D)									
5	(E)									