

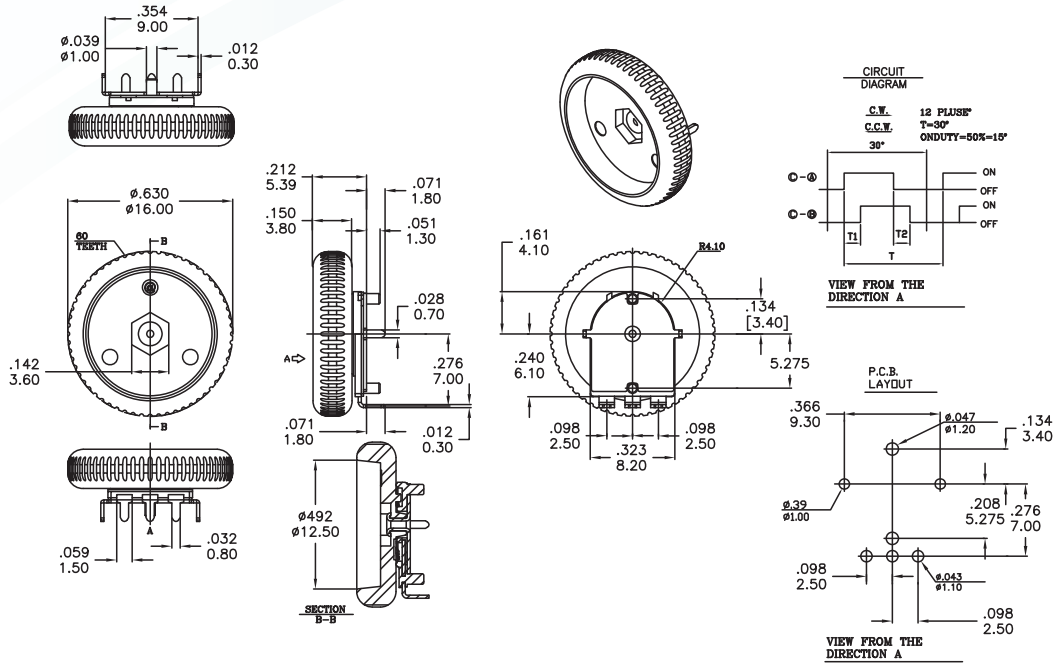
REA(B)

SPECIFICATIONS

RATING:5VDC. 1mA.
 INSULATION RESISTANCE:50VDC-10M MIN.
 WITHSTAND VOLTAGE:50VAC-1 MINUTE
 ROTARY TORQUE:3-60 gf.cm.
 TOTAL ROTARY ANGLE:360°(12 PULSE)
 LIFE CYCLE:20,000 CYCLES

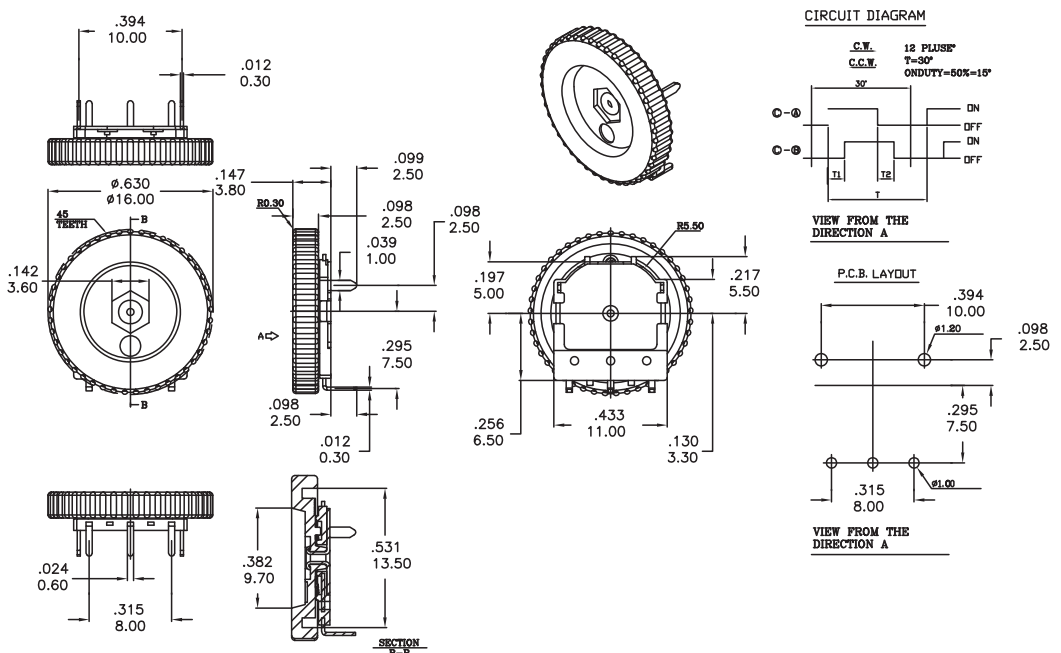


REA-100



REA REB
 Rotary Switches

REB-100



The recommendations are for these series as below

DHN , DHNF , EPI , EPM , DS , DA , DP , MSS, SS , DTS , TA3 , TA4 , TML ,
 MTA ,TE , TL , RH , RV , RM , PT , TMG