



## SPECIFICATIONS

**ELECTRICAL RATING :** DC 15V 2.5A

**CONTACT RESISTANCE :** 20 mΩ (initial)

**INSULATION RESISTANCE :** > 1000 MΩ

(500VDC between open contacts)

**DIELECTRIC STRENGTH :** > 1500V@ 1 minute

**ELECTRICAL LIFE :** 6,000 cycles

**TEMPERATURE RISE AT THE TERMINAL :** Max.30°C

**SOLDER ABILITY OF TERMINAL :** Max 350°C,3S (no pressure may be placed in the terminals when soldering by hand)

**Any Cd Pb Hg etc and it's compounds is not include in this product**

## MATERIALS

**CASE&HOUSING:** Glass filled Nylon 6/6,black.

**ACTUATOR :** Glass filled Nylon 6/6,Black.

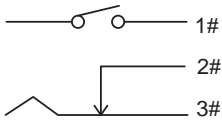
**CONTACT :** Copper alloy,silver plated.

**TERMINALS :** Copper alloy,silver plated.

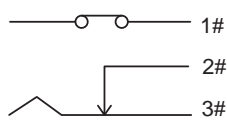
**PIN :** Brass,nickel plated.



## SCHEMATIC



OPEN CIRCUIT

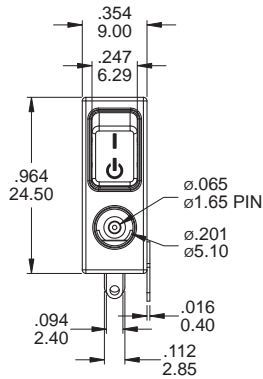


CLOSED CIRCUIT

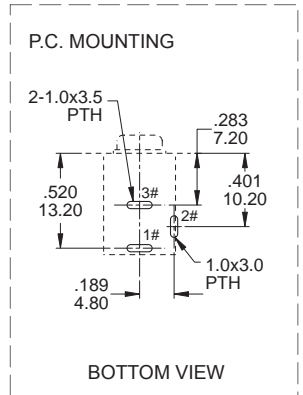
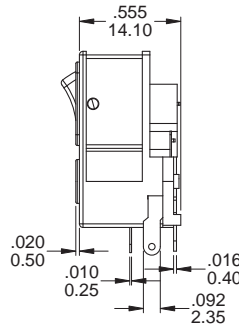
## MODEL OPTIONS



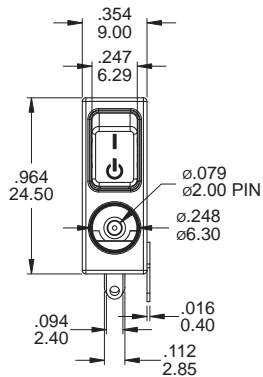
SPST



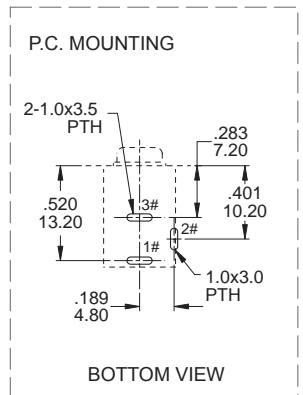
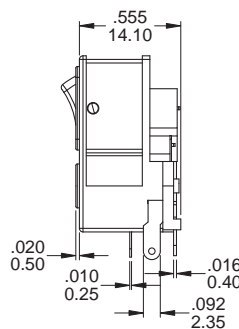
Part No. Shown : RJ-001



SPST



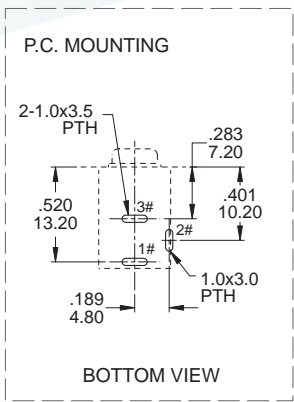
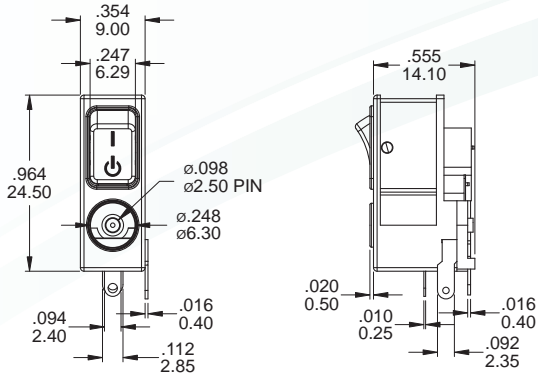
Part No. Shown : RJ-002





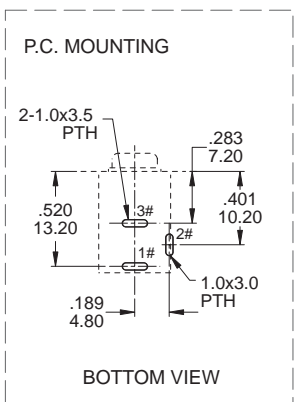
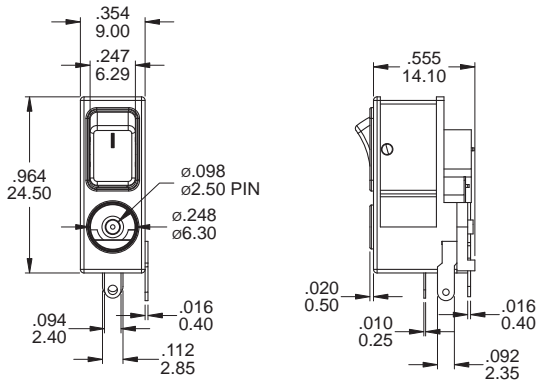
**SPST**

Part No. Shown : RJ-003



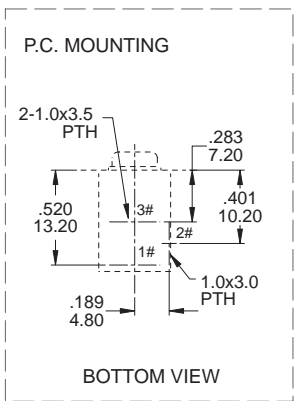
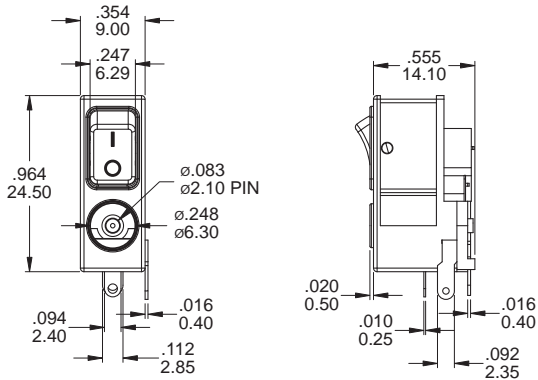
**SPST**

Part No. Shown : RJ-004



**SPST**

Part No. Shown : RJ-005



**SPST**

Part No. Shown : RJ-009

