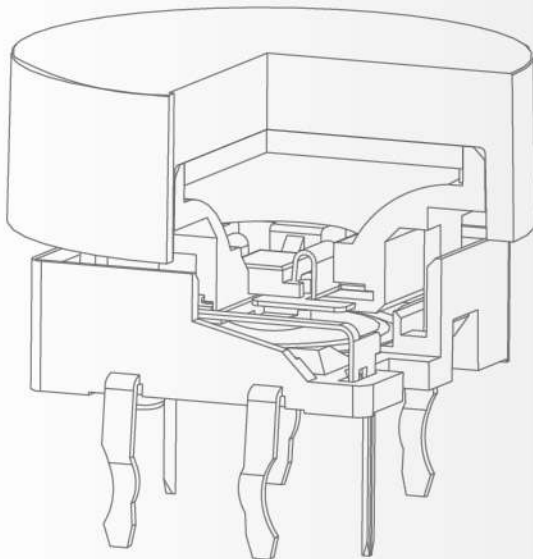
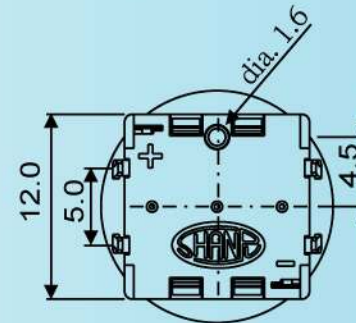
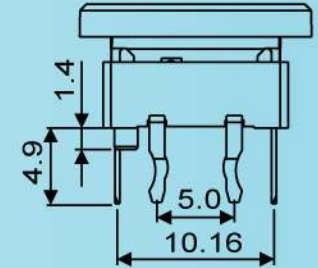
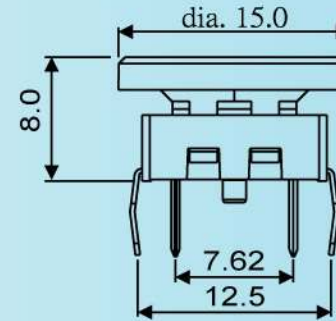
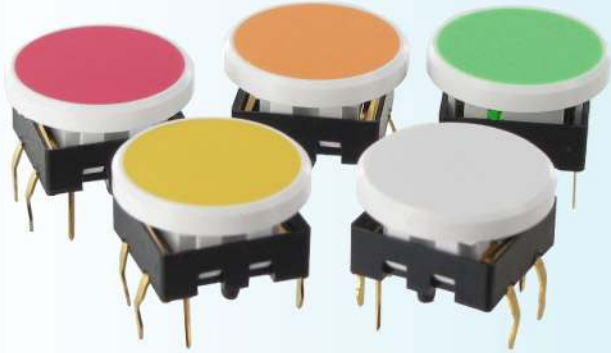


# SPL15

## ILLUMINATED TACTILE SWITCHES SERIES



### General Specifications

- Circuit :SPDT
- Current Rating :50mA @ 12VDC
- Contact Resistance :100mOhm Max(initial)
- Insulation Resistance :100 MOhm Min.
- Operating Force :250gf±50gf
- Total Travel :0.3mm±0.1mm
- Mechanical Life :5,000,000 cycles min.
- Operating Temperature:-25deg.~+60deg.
- Solder Specifications :260 deg. for 3 seconds

### Material

- Cover :Polycarbonate(PC)
- Cap :Polycarbonate(PC) or Acrylonitrile Butadiene Styrene(ABS)
- Reflector :Polycarbonate(PC)
- Base :Polyamide(PA)
- Lamp Term.:Phosphor bronze(PBS) with gold plating
- Act. Dome :Phosphor bronze(PBS) with silver plating
- End Term. :Brass with gold plating
- LED :Surface Mount Chip LED



Wolfgang Knap  
Gesellschaft m.b.H. & Co.KG  
INDUSTRIELEKTRONIK

1130 Vienna, Austria  
Lilienberggasse 13  
Tel.: +43-1-403 08 12  
Fax: +43-1-408 72 13  
e-mail: info@knap.at  
http://www.knap.at



® Dailywell Electronics Co.,Ltd.  
Taiwan,R.O.C  
4F,NO.88,Chiao Ho Road ,Chung  
Ho City ,Taipei Hsien ,Taiwan.  
Tel :+886-2-22409060

http://www.dailywell.com.tw  
e-mail:dailywell@dailywell.com.tw