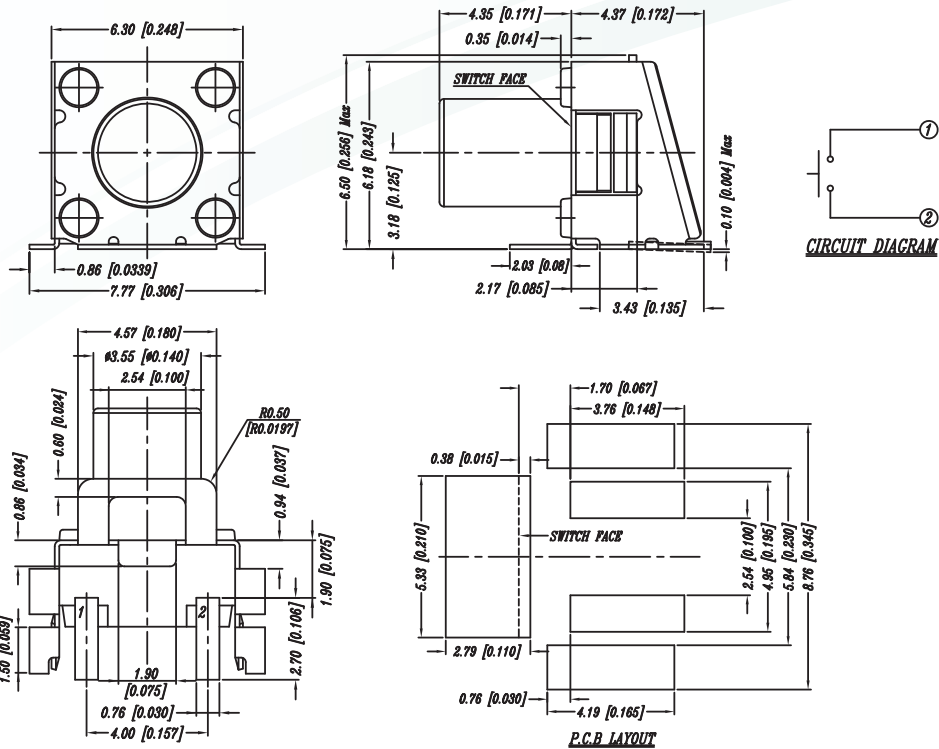


# TA3(4)



TA3-1W2-V



**NOTE:**  
 1. ALL DIMENSIONS ARE IN MILLIMETERS, BRACKETED DIMENSIONS ARE IN INCHES.  
 2. GENERAL TOLERANCES MAX.  $\pm 0.20$ mm.

PART NAME	
TA3-1□□	Color Of Stem For Operating Force
W2	White ; Operating Force 185 $\pm$ 50gf
R3	Red ; Operating Force 300 $\pm$ 60gf

TA3 TA4  
Tact Switches



TA4-58G1

