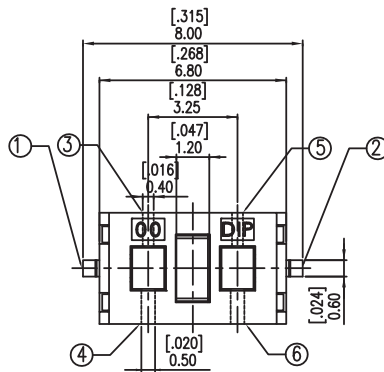
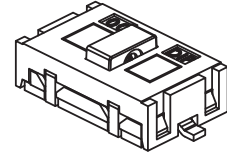




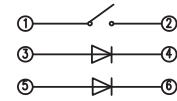
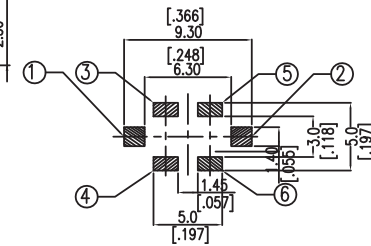
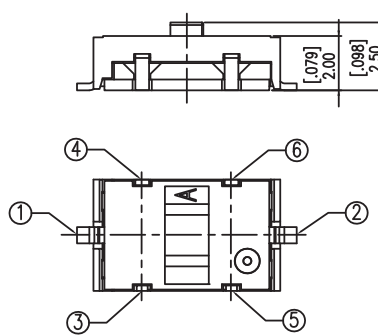
TML-3WRO



NOTE:
 1. ALL DIMENSIONS ARE IN MILLIMETERS,
 BRACKETED DIMENSIONS ARE IN INCHES.
 2. GENERAL TOLERANCES ± 0.20 mm.
 3. MATERIAL □ & * :SEE SPECIFICATION.

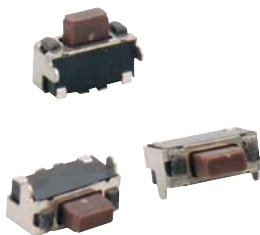


NO.	LED COLOR
X	NON-LED
R	RED
O	SOFT ORANGE
G	GREEN
B	BLUE
S	AMBER

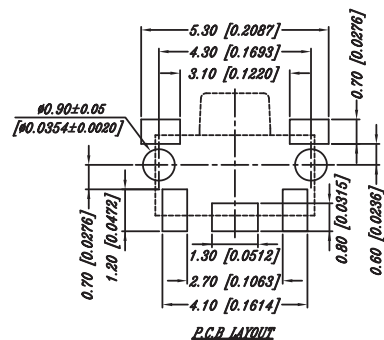
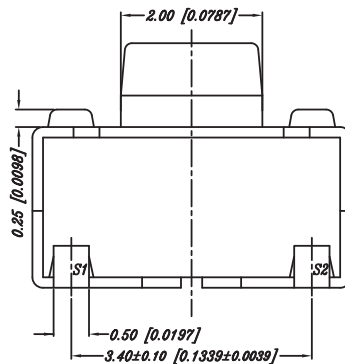
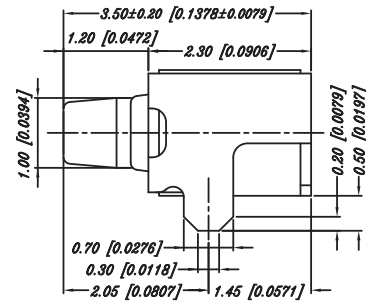
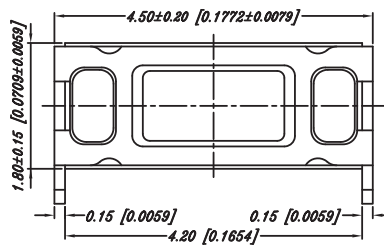


CIRCUIT DIAGRAM

P.C.B. LAYOUT



MTA-NC-V



P.C.B. LAYOUT



CIRCUIT DIAGRAM

NOTE:
 1. ALL DIMENSIONS ARE IN MILLIMETERS,
 BRACKETED DIMENSIONS ARE IN INCHES.
 2. GENERAL TOLERANCES MAX. ± 0.20 mm.