



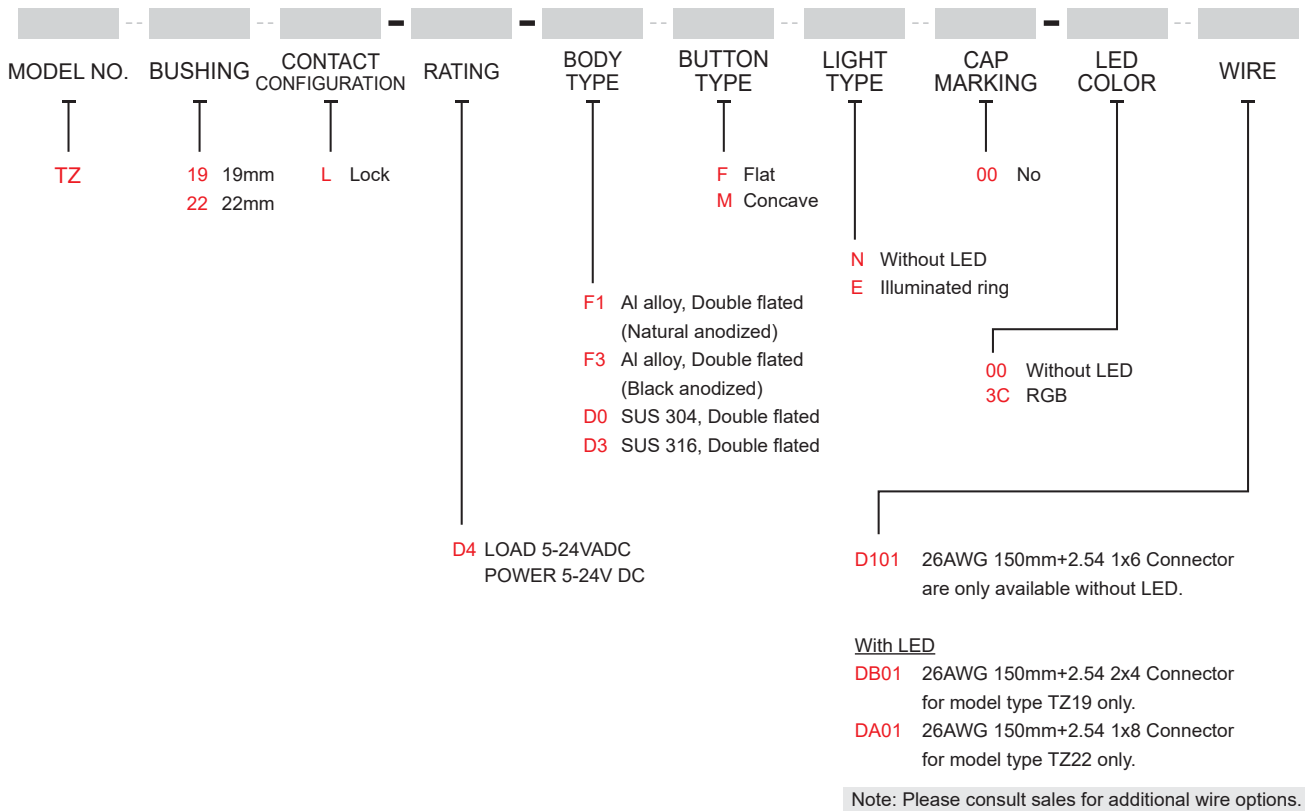
SPECIFICATIONS

- RATING** : 5-24VADC/1A LOCK MODE.
- POWER** : 5-24V DC
- INDICATOR** : 12-24V DC
- OPERATING LIFE** : 50 Million cycles min.
- CONTACT RESISTANCE** : 1Ω MAX.
- OPERATING TEMPERATURE**: -20°C to 65°C.

MATERIALS

- BUSHING**: Aluminum alloy / Stainless steel.
- SEALING** : Silicone, EPOXY.
- HEX NUT** : Nickel plated brass.

HOW TO ORDER



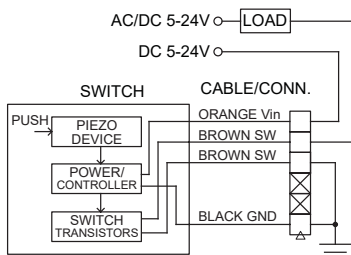
EXAMPLE:
TZ19L-D4-□FN00-00D101(STD)
Body options
TZ19L-D4-□FE00-3CDB01(STD)
Body options



Piezo switches(Lock)

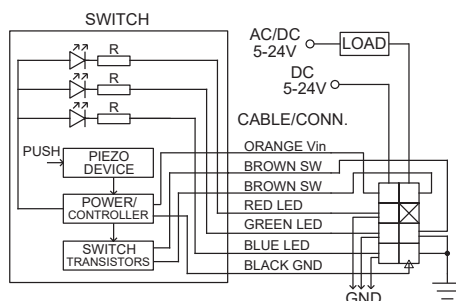
▼ CIRCUIT

00 Without LED application diagram

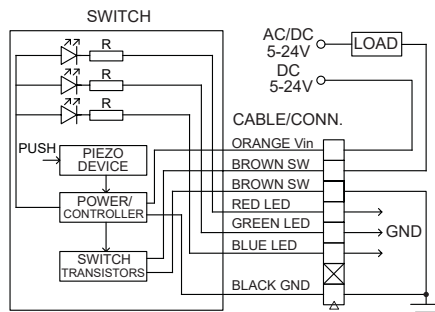


3C RGB LED application diagram

Available with TZ19L model only

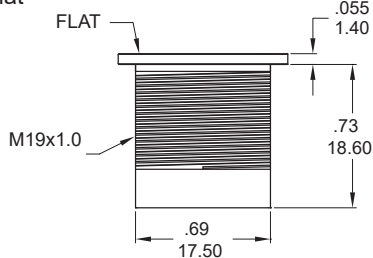


Available with TZ22L model only

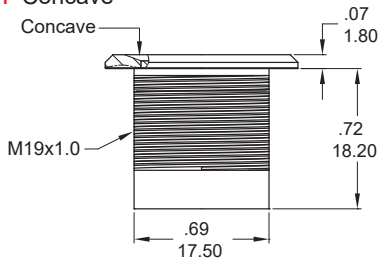


▼ BUTTON OPTIONS & PANEL MOUNTING

F Flat

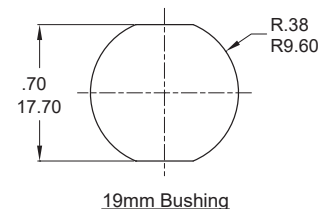


M Concave

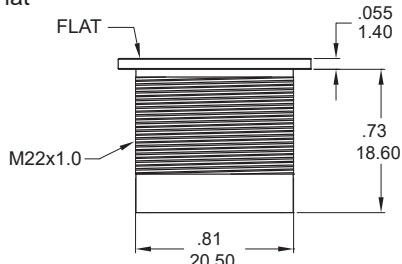


Panel thickness:

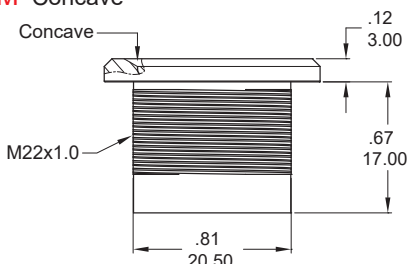
.394inch(10.0mm) Max.



F Flat

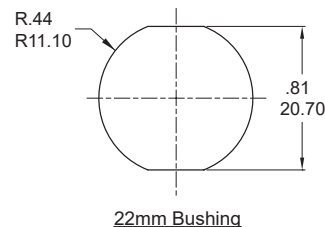


M Concave



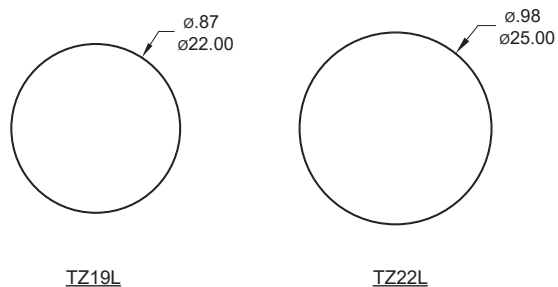
Panel thickness:

.394inch(10.0mm) Max.

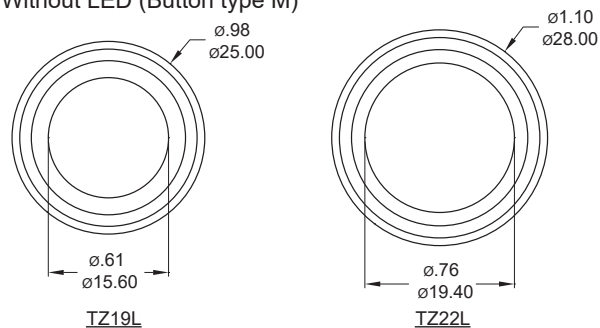


▼ LIGHT OPTIONS

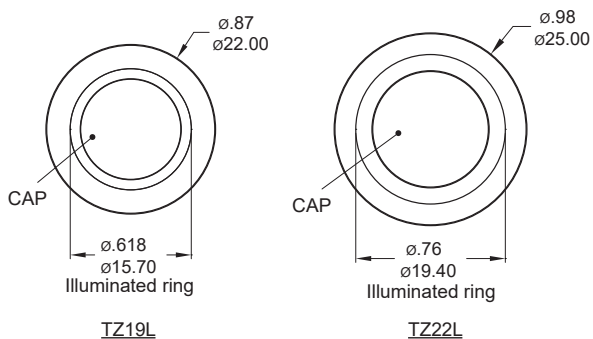
N Without LED (Button type F)



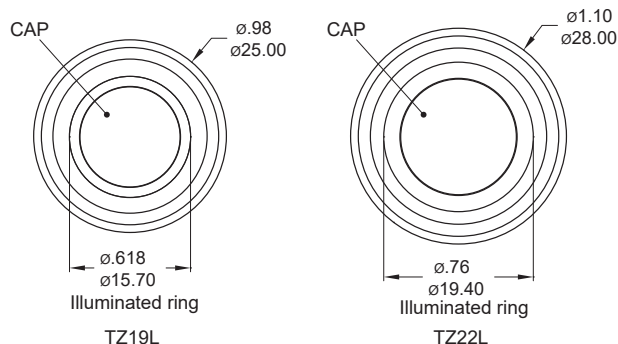
N Without LED (Button type M)



E Illuminated ring (Button type F)

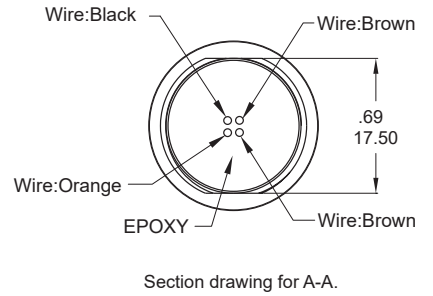
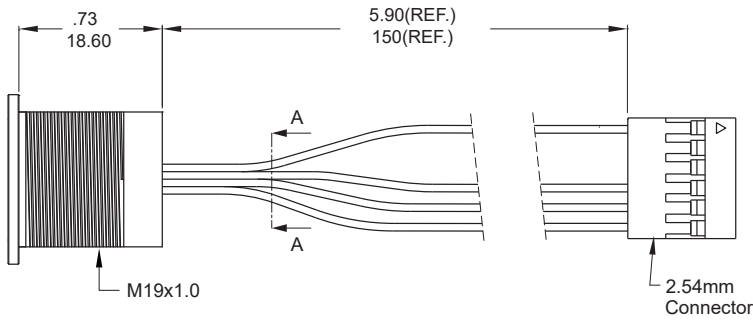


E Illuminated ring (Button type M)



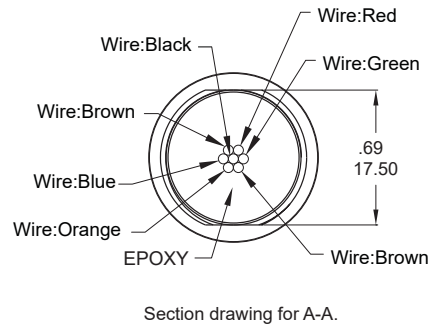
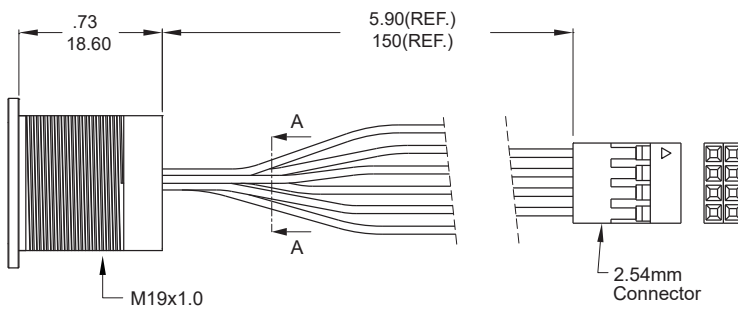
▼ **WIRE**

TZ19L Wire leads 26 AWG



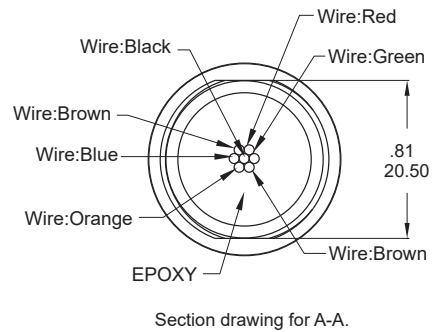
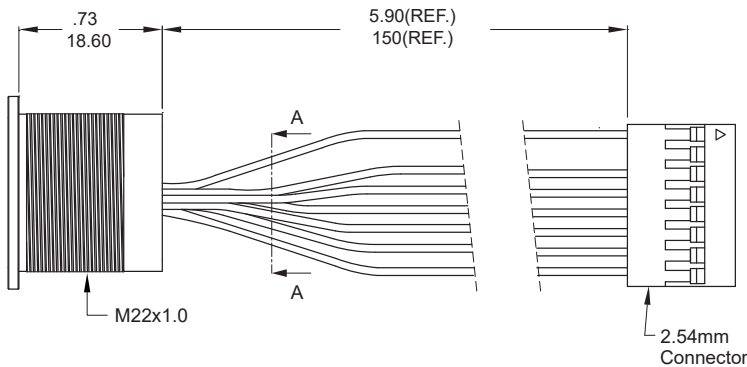
Model name. TZ19L-D4-F1FN00-00D101

TZ19L Wire leads 26 AWG



Model name. TZ19L-D4-F1FE00-3CDB01

TZ22L Wire leads 26 AWG



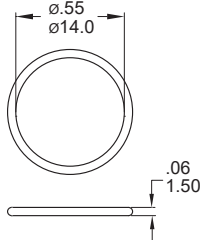
Model name. TZ22L-D4-F1FE00-3CDA01

▼ **HARDWARE**

* Standard hardware : 1 nut, 1 O-ring
* For further information please consult sales representativity.

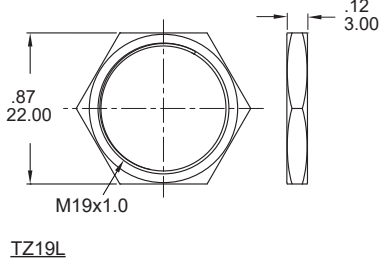
O-RING (Std.)

Model name. FCP-PY02



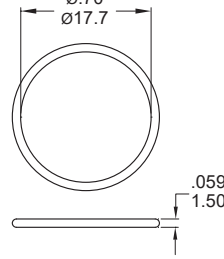
NUT (Std.)

Model name. MNU-MPB01



O-RING (Std.)

Model name. FCP-MPB07



NUT (Std.)

Model name. MNU-MPB02

