

BOARD TO WIRE INTERFACE SERIES 6110

female crimp plug 2,54 mm (.100) pitch

GENERAL

The electronic terminals connectors of the 6110 series receive the crimp contacts of the 6150 series. They are designed to mate with receptacles of the 6140 series.

These plugs are fitted with a locking and polarization device preventing any contact mis-mate.

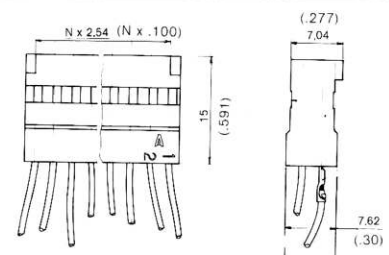
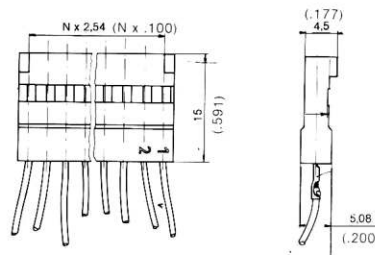
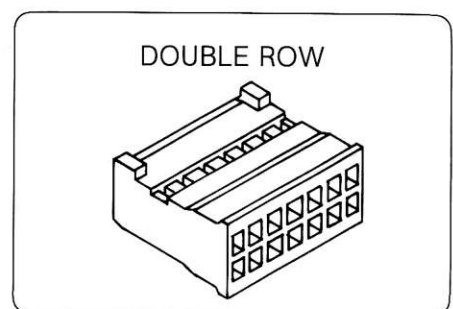
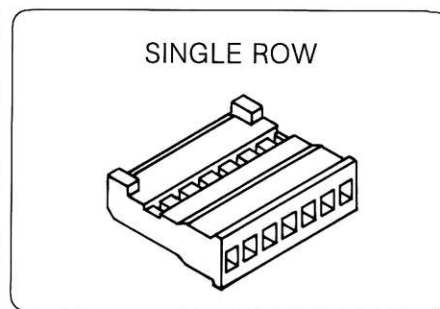
They are available in one or two rows versions with 2 to 25 contacts per row.

They are stackable end to end.

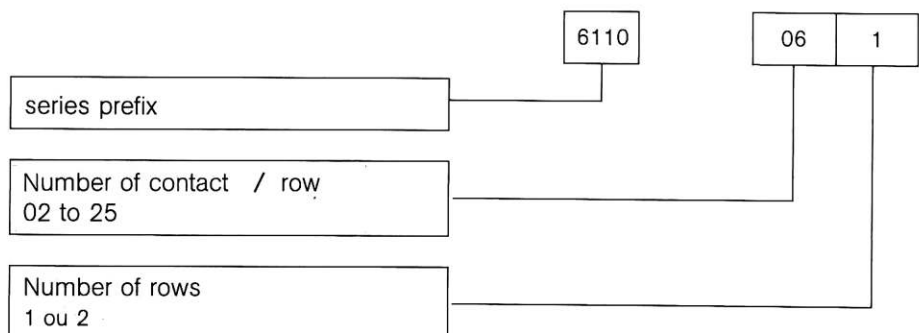
SPECIAL FEATURES

Material : Auto-extinguishing thermoplastic (UL 94 VO).

Each cavity is coded by number.



HOW TO ORDER



RECOMMENDED SIZES

The standard sizes are normally available from stock.

Single row : 1 x 03, 04, 05, 06, 08, 10, 12, 15, 18.

Double row : 2 x 03, 04, 05, 06, 08, 09, 10, 12, 15, 18.

DIMENSIONS IN INCHES ARE IN BRACKETS