

BOARD TO WIRE INTERFACE SERIES 6140

shrouded pin header 2,54 mm (.100) pitch

GENERAL

The electronic terminals connectors of the 6140 serie are the male headers designed to receive crimp female plugs of the 6110 series, or I.D.C. female plugs of the 6120 series.

They are provided with locking device and locator device ensuring fail safe resistance and avoiding any contact mismatch.

These connectors are available in one or two rows versions with 2 to 25 contacts per row.

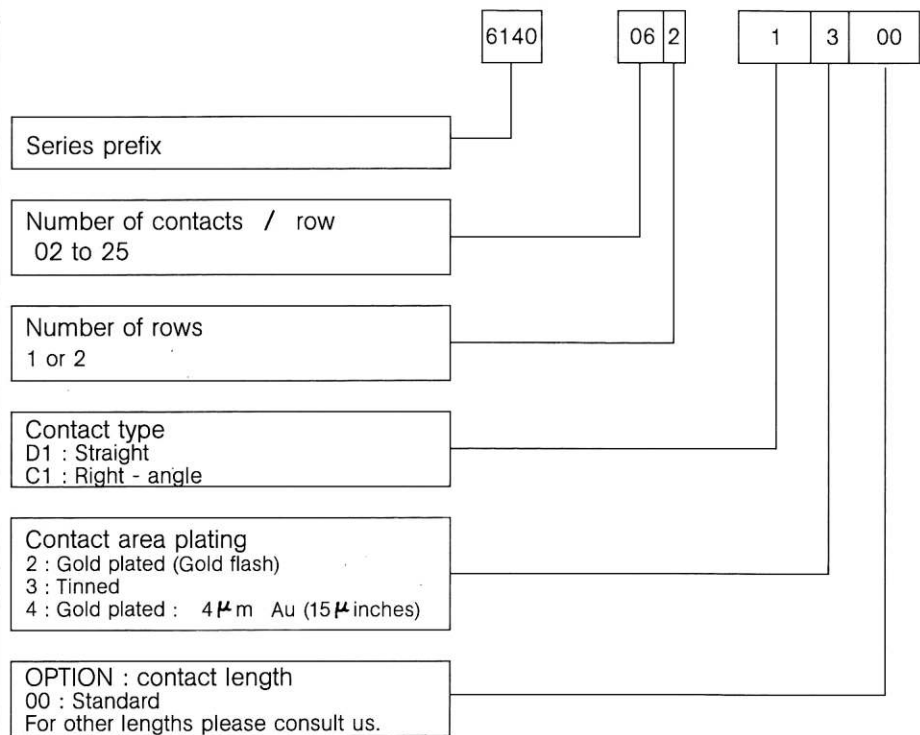
They are stackable end to end.

SPECIAL FEATURES

Insulation : Self-extinguishing thermoplastic (UL 94 - VO). Flow solder resistant.

Contact : Square pin 0,63 x 0,63 mm (.024 x .024).

HOW TO ORDER



RECOMMENDED SIZES

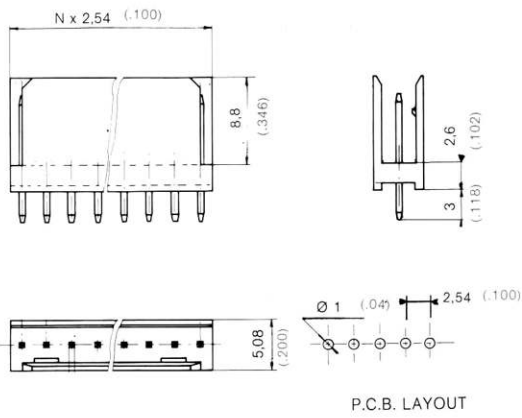
The standard sizes are normally available from stock.

Single row : 1 x 03, 04, 05, 06, 08, 10, 12, 15, 18, pins.

Double row : 2 x 03, 04, 05, 06, 08, 09, 10, 12, 15, 18 pins.

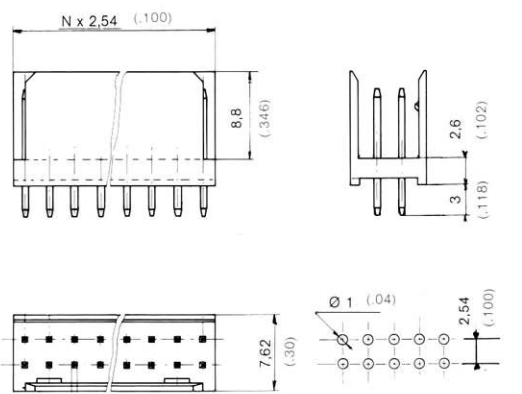
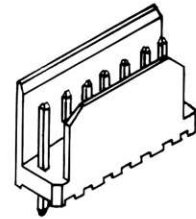
DIMENSIONS IN INCHES ARE IN BRACKETS

straight version



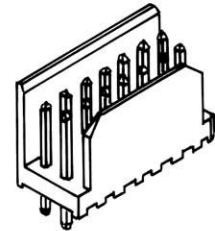
P.C.B. LAYOUT

SINGLE ROW

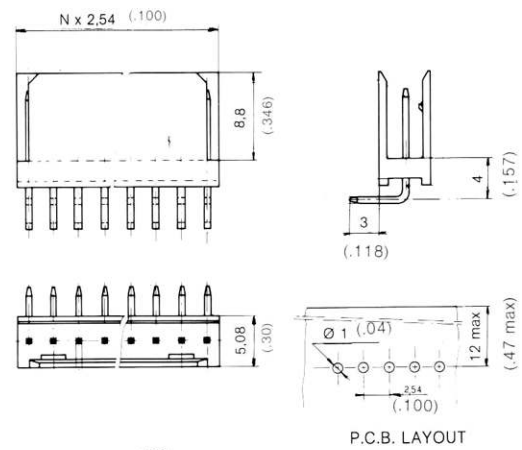


P.C.B. LAYOUT

DOUBLE ROW

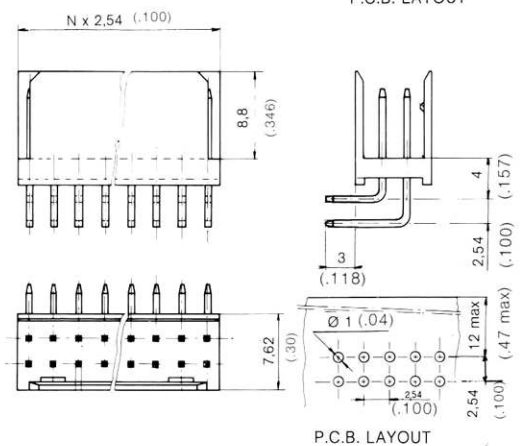
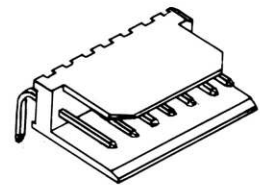


right angled version



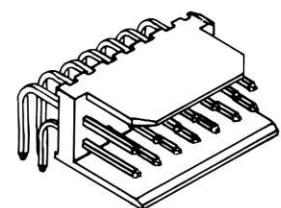
P.C.B. LAYOUT

SINGLE ROW



P.C.B. LAYOUT

DOUBLE ROW



DIMENSIONS IN INCHES ARE IN BRACKETS