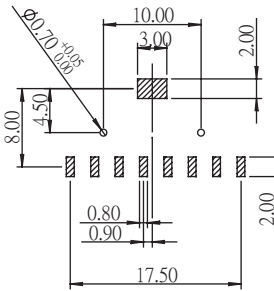
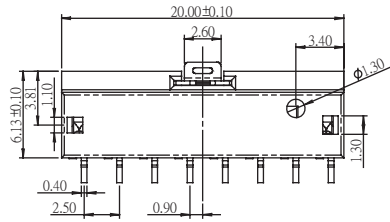


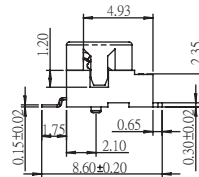
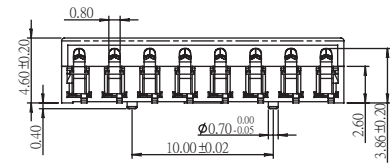
BATTERY HOLDER CONN. SPRING / COIN TYPE

MATERIAL

Insulator Material:LCP,UL 94V-0
 Contact Material:Copper alloy
 Finish:Gold plated 15u"



Recommended PCB Layout
 (PCB TOLERANCE ±0.05)

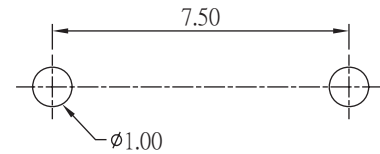
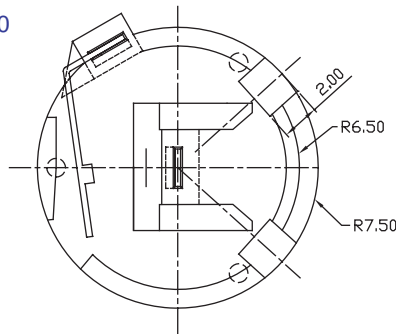


Part No.:**BTM0123-** **GFB-U**

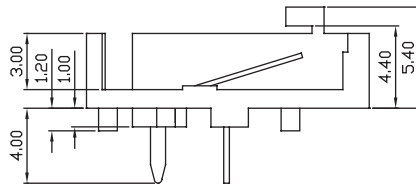
03:3 PIN
 06:6 PIN
 08:8 PIN

MATERIAL

Insulator Material:P.B.T,UL 94V-0
 Contact Material:Copper alloy
 Finish:Tin plated
 For CR1225



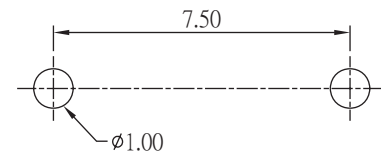
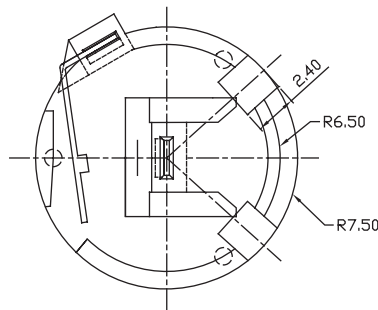
Recommended PCB Layout
 (PCB TOLERANCE ±0.05)



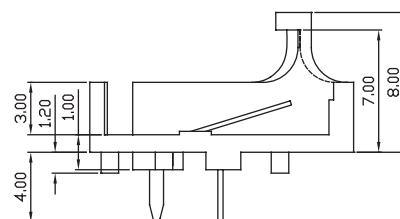
Part No.:**BTD-1225TB-L**

MATERIAL

Insulator Material:P.B.T,UL 94V-0
 Contact Material:Copper alloy
 Finish:Tin plated
 For CR1250



Recommended PCB Layout
 (PCB TOLERANCE ±0.05)



Part No.:**BTD-1250TB-L**

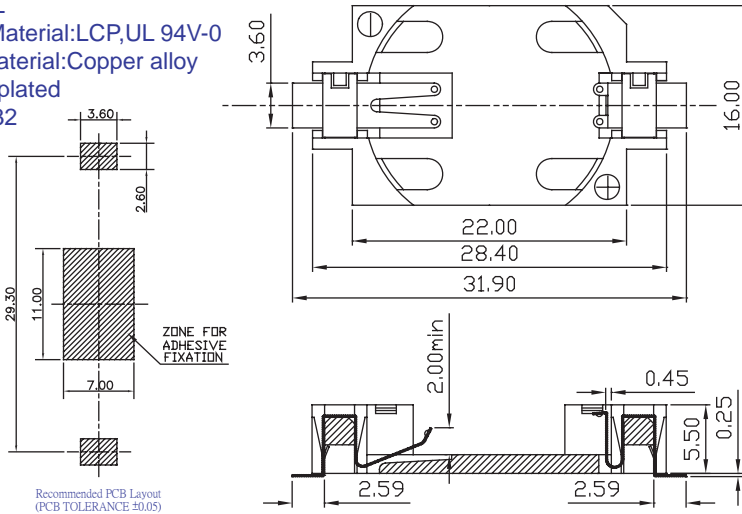
TEK
COMMERCIAL
MANUFACTURE



BATTERY HOLDER CONN. COIN TYPE

MATERIAL

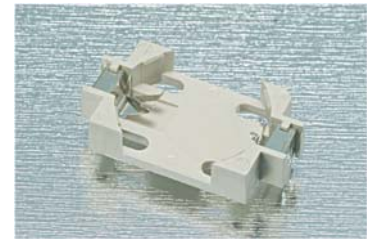
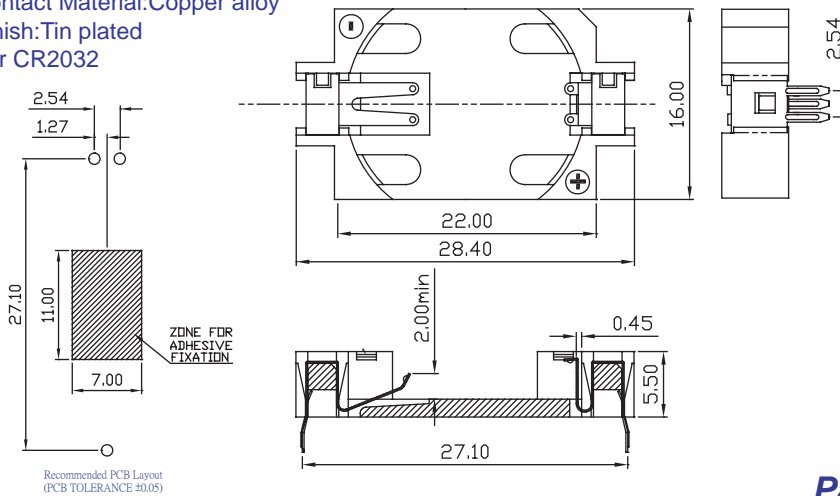
Insulator Material:LCP,UL 94V-0
 Contact Material:Copper alloy
 Finish:Tin plated
 For CR2032



Part No.:BTM-2032TW-U

MATERIAL

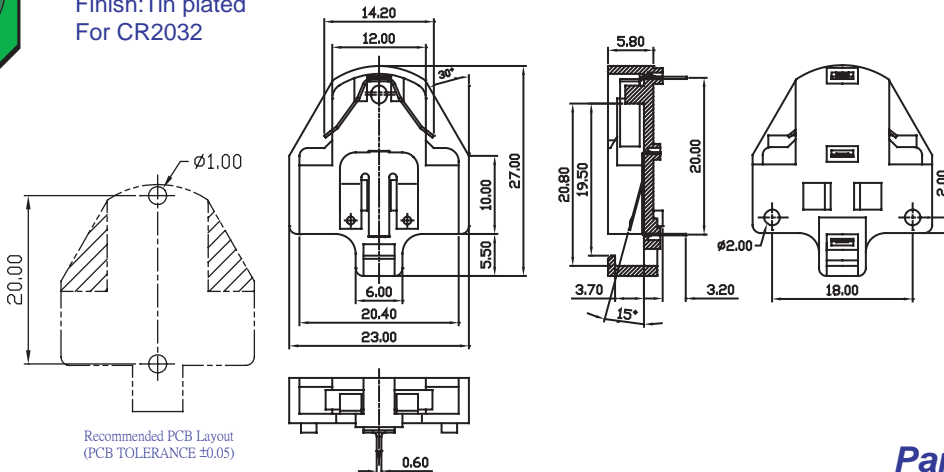
Insulator Material:LCP,UL 94V-0
 Contact Material:Copper alloy
 Finish:Tin plated
 For CR2032



Part No.:BTD-2032TW-U

MATERIAL

Insulator Material:P.B.T,UL 94V-0
 Contact Material:Copper alloy
 Finish:Tin plated
 For CR2032



Part No.:BTDA-2032TB-L

BATTERY HOLDER

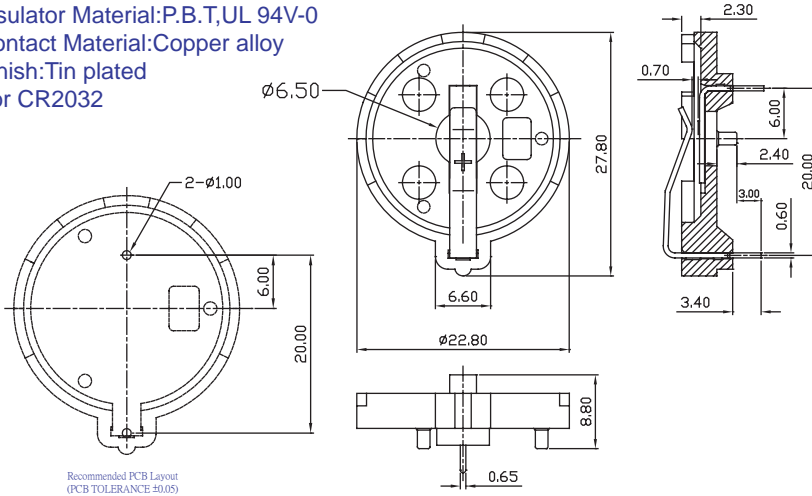


AMTEK CONNECTORS MANUFACTURE

BATTERY HOLDER CONN. COIN TYPE

MATERIAL

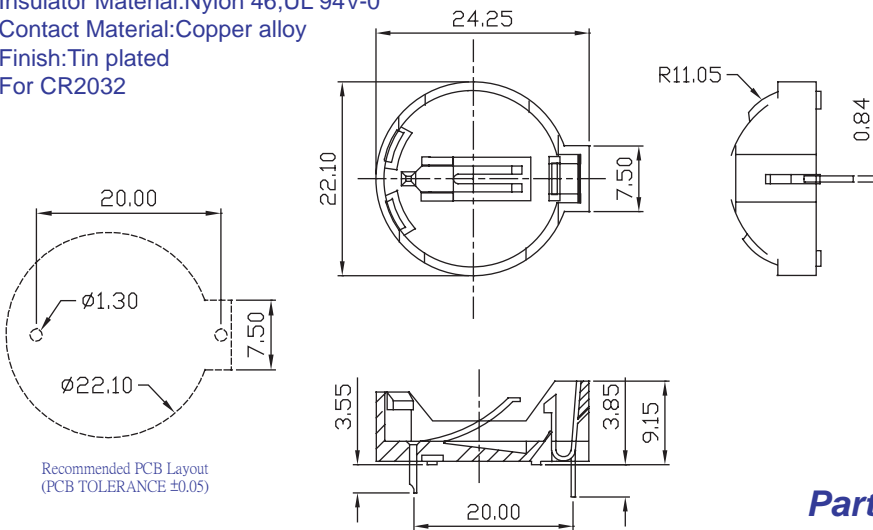
Insulator Material:P.B.T,UL 94V-0
 Contact Material:Copper alloy
 Finish:Tin plated
 For CR2032



Part No.:BTDB-2032TB-L

MATERIAL

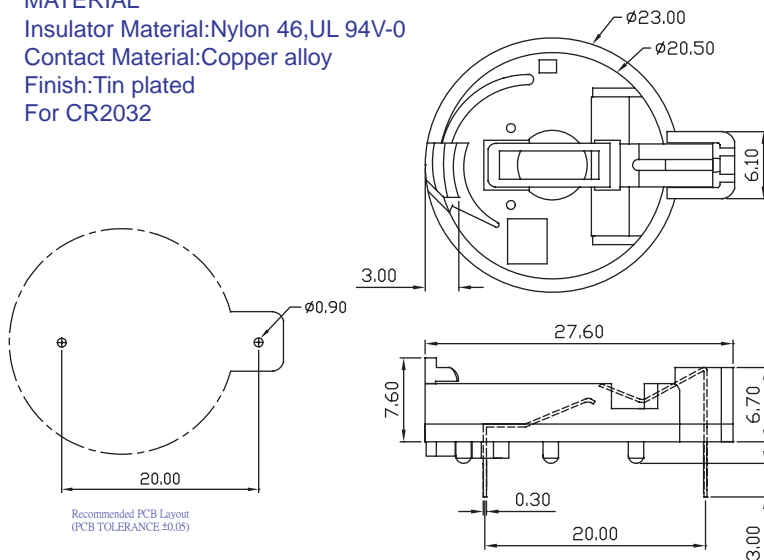
Insulator Material:Nylon 46,UL 94V-0
 Contact Material:Copper alloy
 Finish:Tin plated
 For CR2032



Part No.:BTDC-2032TB-U

MATERIAL

Insulator Material:Nylon 46,UL 94V-0
 Contact Material:Copper alloy
 Finish:Tin plated
 For CR2032



Part No.:BTDD-2032TB-U

TEK
COMMERCIAL
MINIATURE



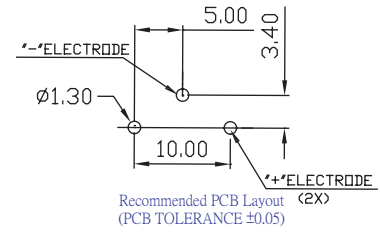
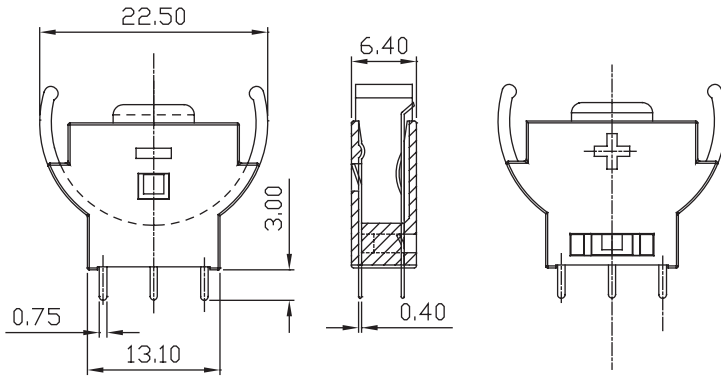


CONNECTORS MANUFACTURE

BATTERY HOLDER CONN. COIN TYPE

MATERIAL

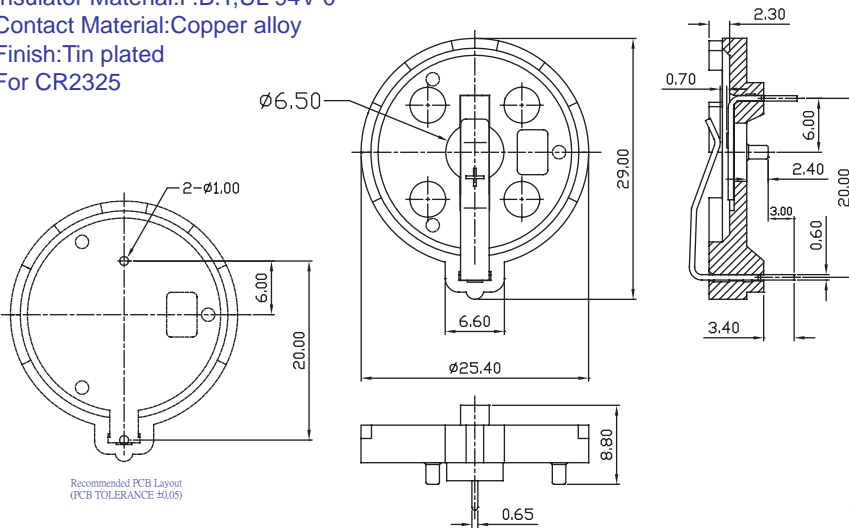
Insulator Material:Nylon 46,UL 94V-0
 Contact Material:Copper alloy
 Finish:Tin plated
 For CR2032



Part No.:BTV-2032TB-U

MATERIAL

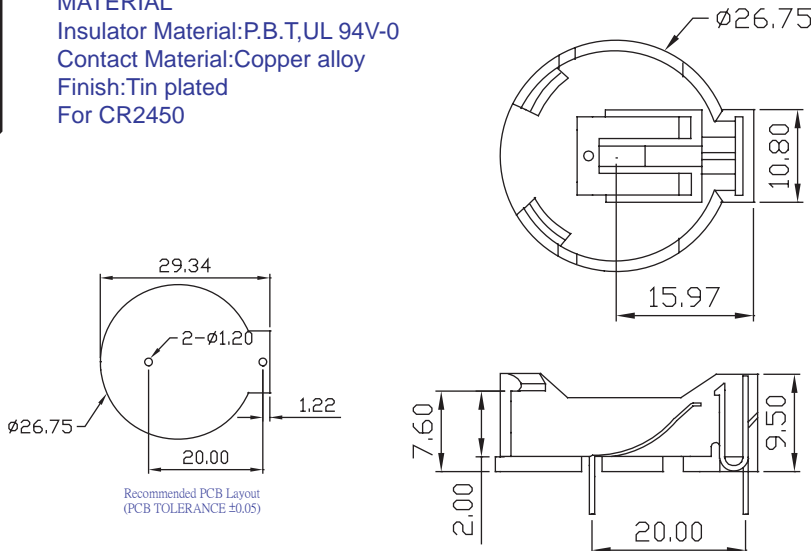
Insulator Material:P.B.T,UL 94V-0
 Contact Material:Copper alloy
 Finish:Tin plated
 For CR2325



Part No.:BTD-2325TB-L

MATERIAL

Insulator Material:P.B.T,UL 94V-0
 Contact Material:Copper alloy
 Finish:Tin plated
 For CR2450



Part No.:BTD-2450TB-L

BATTERY HOLDER



AMTEK CONNECTORS MANUFACTURE