

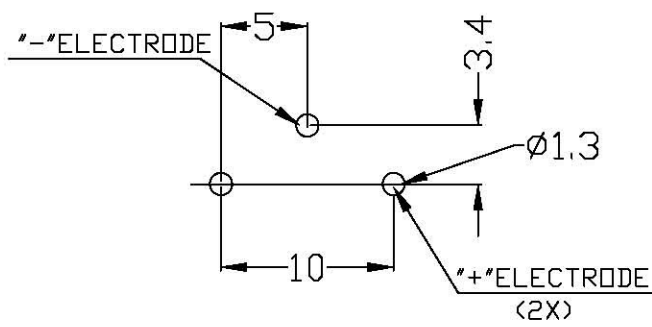
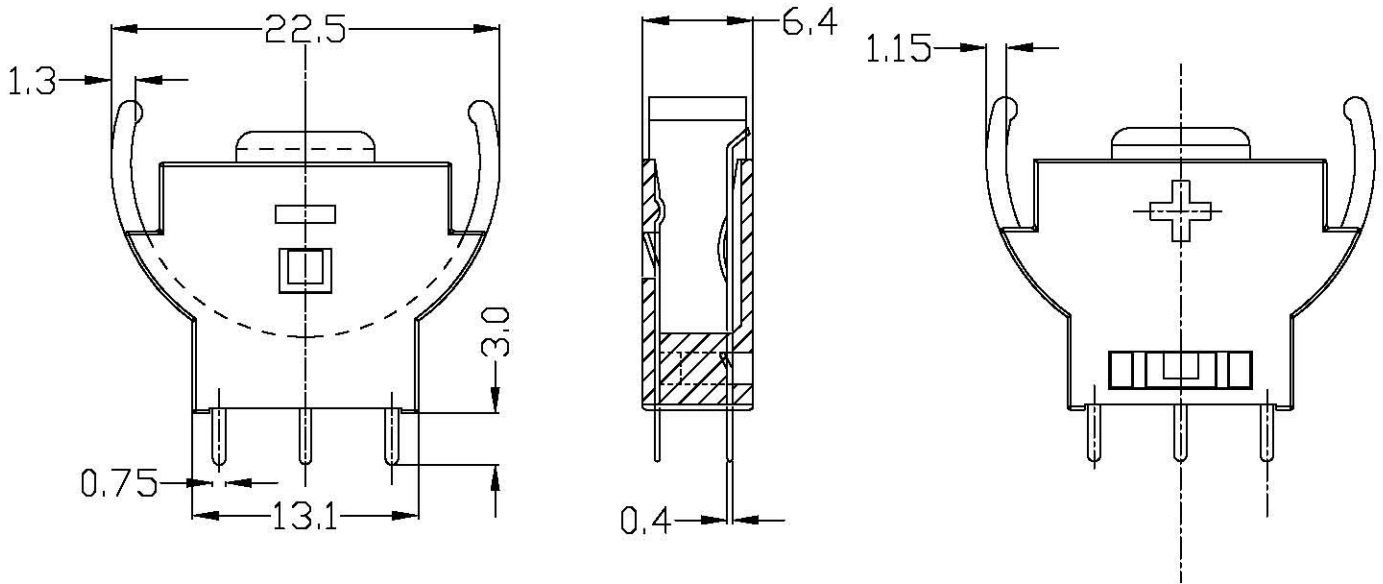
RevNo	Revision note	Date	Signature	Checked

NOTES

1. MATERIALS:

HOUSING-NYLON 46 30%GF UL94V-0.

CONTACT-PHOSPHOR BRONZE, C5191R-H T=0.6mm.



攪捫	畧	??觀
	50	±0.05
50	120	±0.10
120	250	±0.15
250	400	±0.30
400	650	±0.50

BATTER HOLDER:	
CUSTOMER:	
PART NO.: BTV-2032TB-U	MATERIAL:
DWG NO.:	QTY:
MODEL NO.:	FINISH:

Amtek Technology Co., Ltd.			
DRAWN BY:		DATE:	
CHECKED BY:		DATE:	
APPROVED BY:		DATE: 2003/04/30	
	SCALE	SHEET NO.	NO. OF SHEET
	1 : 1		