

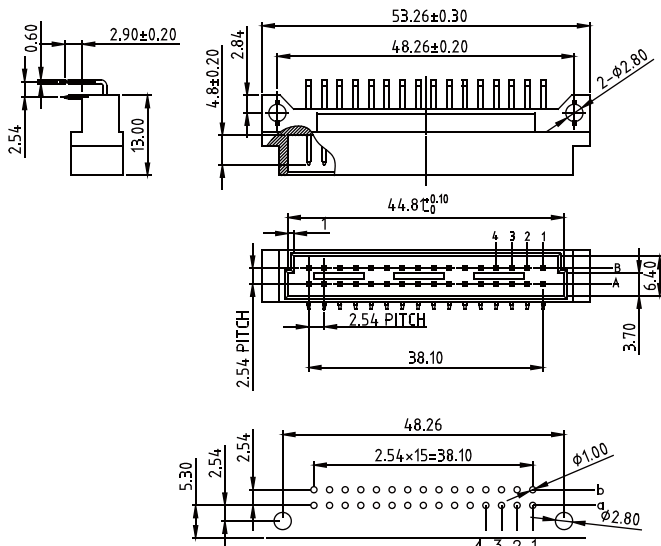
DIN 41612 Short Body B Type Male

Specifications

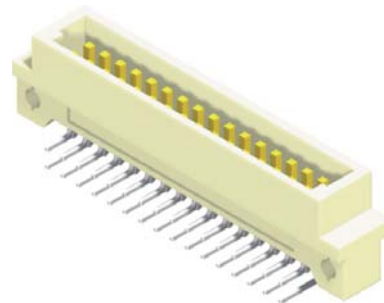
Current Rate: 2 AMP
 Insulation Resistance: 1000MΩ Min.
 Contact Resistance: 30mΩ Max.
 Dielectric Voltage: 1000V AC for one minute
 Operation Temperature: -55°C to +105°C

Material

Insulator: Polyester, UL 94V-0
 ©Standard: PBT
 Terminal: Copper Alloy
 Plating: Selective Gold Plating



Recommended PCB Layout
 (PCB TOLERANCE ±0.05)



Pitch	No. of Contacts	Rows with Contacts	Contact Arrange
2.54	32	A B	
	16	A -	
5.08	16	A B	
	8	A -	

Part No.: DINSR-M2XX-L

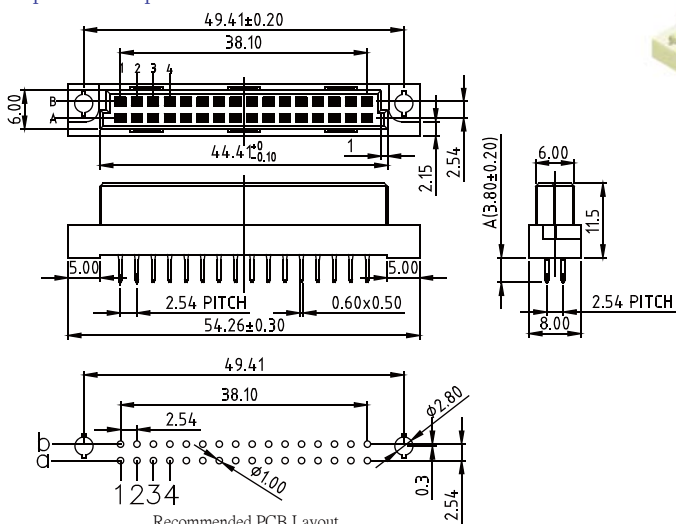
DIN 41612 Short Body B Type Female

Specifications

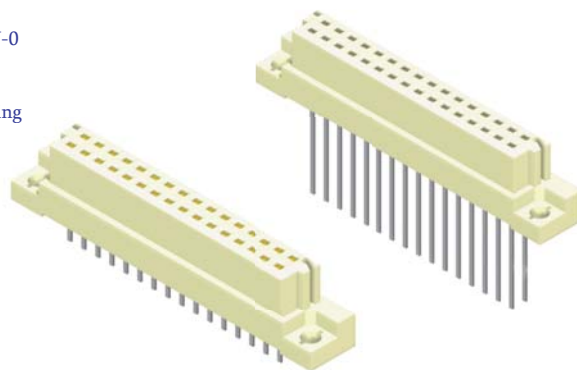
Current Rate: 2 AMP
 Insulation Resistance: 1000MΩ Min.
 Contact Resistance: 30mΩ Max.
 Dielectric Voltage: 1000V AC for one minute
 Operation Temperature: -55°C to +105°C

Material

Insulator: Polyester, UL 94V-0
 ©Standard: PBT
 Terminal: Copper Alloy
 Plating: Selective Gold Plating



Recommended PCB Layout
 (PCB TOLERANCE ±0.05)



Pitch	No. of Contacts	Rows with Contacts	Contact Arrange
2.54	32	A B	
	16	A -	
5.08	16	A B	
	8	A -	

Part No.: DINSS-F2XX-L

ORDER INFORMATION

