

ORDER INFORMATION

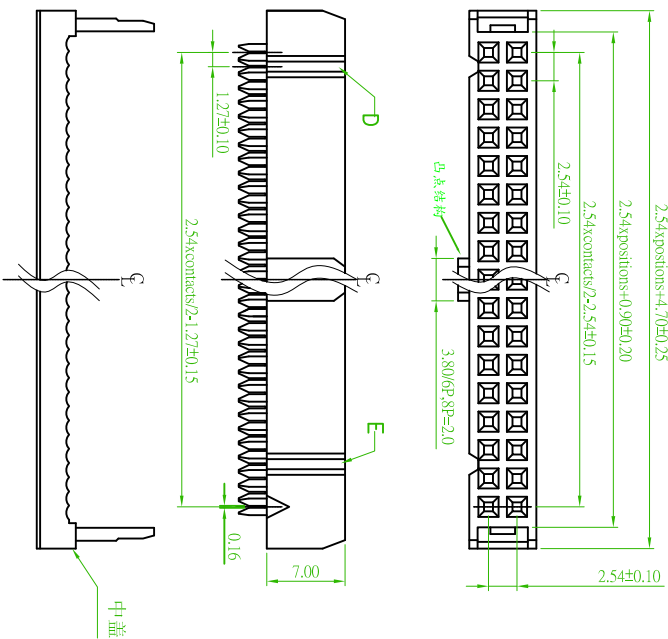
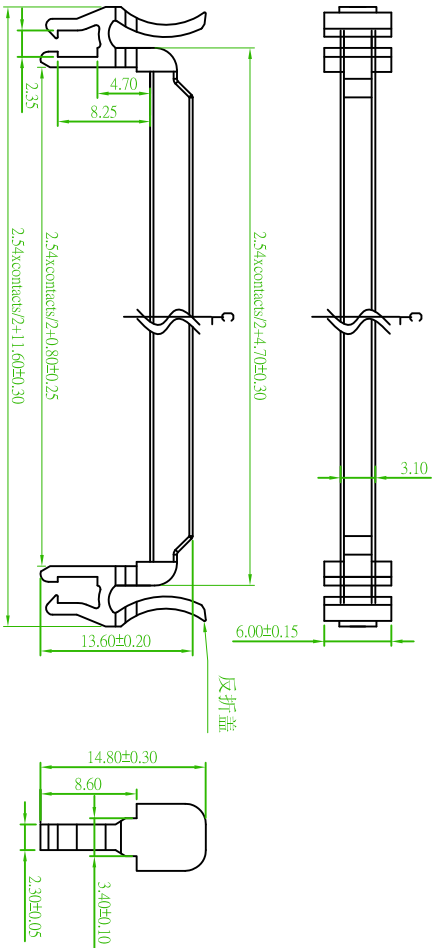


◎Standard Recommend

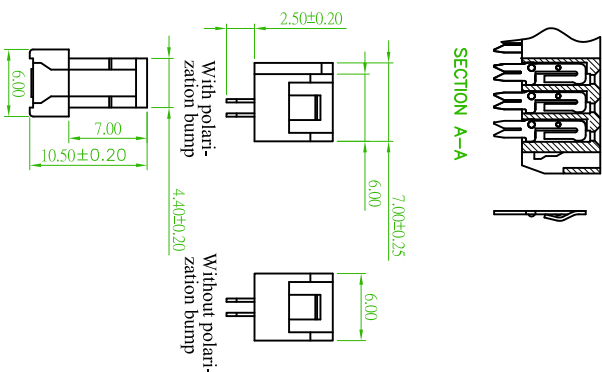
<input type="checkbox"/>	No. of contacts (10, 14, 16, 20, 26, 34, 40, 50, 60, 64)	<input type="checkbox"/>	◎Gold Flash GA50" GA50" GC20" GC30" GC30" TE1in 200"	<input type="checkbox"/>	◎SSselective SA50" SB10" SC20" SD30" TE1in 200"	<input type="checkbox"/>	◎BBack insulator 15cavity insulator	<input type="checkbox"/>	◎13Wth polarization key 28Wth polarization key	<input type="checkbox"/>	◎18Wth SR	<input type="checkbox"/>	LBasis - P18T
--------------------------	--	--------------------------	--	--------------------------	--	--------------------------	--	--------------------------	---	--------------------------	-----------	--------------------------	---------------



NOTES:
 Current Rating:3.0AMP
 Voltage Rating:500V AC/DC
 Contact Resistance:20mΩ Max
 Withstand Voltage:1000V AC/DC
 Insulation Resistance: 1000MΩ Min
 Operation Temperature: -40℃ to +105℃
 Contact Material:Brass
 Contact plating: Au Over Ni
 Insulator Material: PBT+30%GF(UL94V-0)



SECTION A-A



IDC SOCKET 2.54mm

品名 TITLE	IDC1A-XX-L		日期 DATE	2009/05/20
品號 PART NO.	IDC1A-XX-L		繪圖 DRAWN	Simmys
圖號 DRAWING NO.	IDC1A-XX-L	版本 REV.	A	核對 CHECKED
客戶品號 CUSTOMER P/N		比例 SCALE	FREE	Paul
公差 TOLERANCE	.X ±0.2 .XX ±0.15	單位 UNIT	mm	核准 APPROVED
			James	

AREA	REV.	DESCRIPTION	DATE

Amitek 禮德企業有限公司
 Amitek Technology Co., Ltd.
 TEL:86-2286-8836
 FAX:86-2286-8835