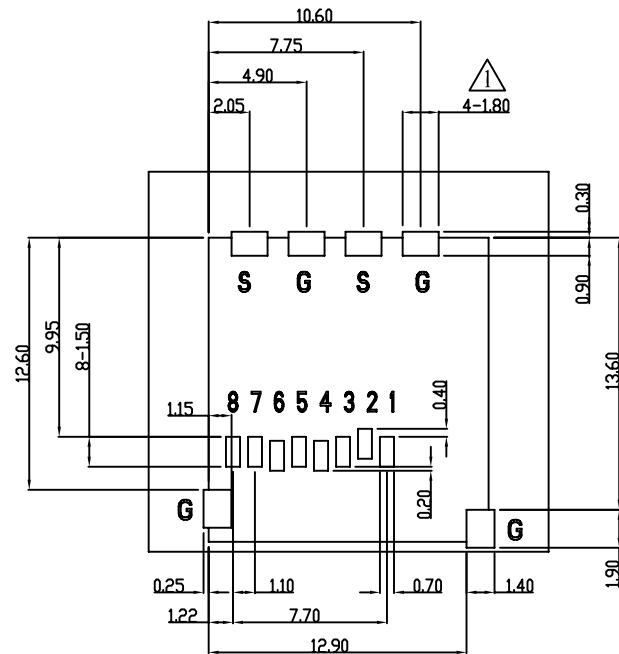
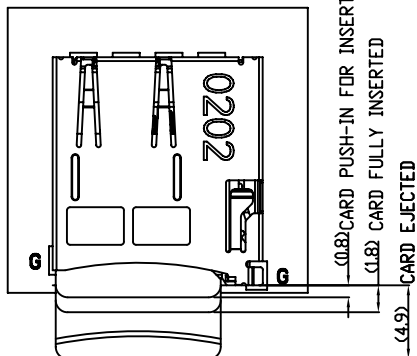
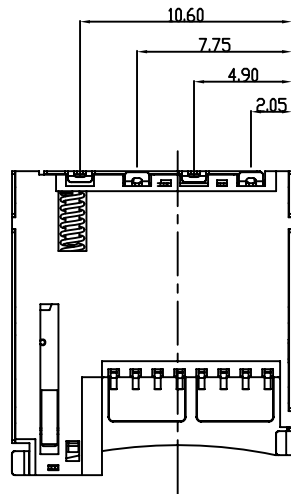
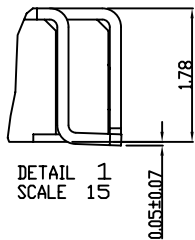
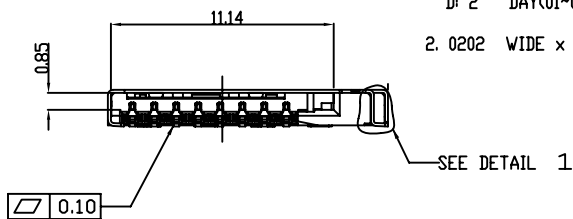


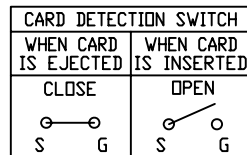
- NOTES:
- DATE CODE 0202 (YWWDD)
 Y: 0 YEAR(2010)
 WW:20 WEEK(01~52)
 D: 2 DAY(01~07)
 - 0202 WIDE x HIGH(6mm x 2mm)



RECOMMEND PC BOARD LAYOUT

112A-T A A R-R02
 1 2 3 4

- | | |
|--------------------|-------------|
| 1.Type | 3.Stand Off |
| T:Top Mount | A:0mm |
| 2.Contact Plating | 4.RoHS |
| A:10u"Gold Plating | |



ITEM	PART NAME	Q'TY	MATERIAL
1	BODY	1	LCP+35%GF
2	SLIDER	1	LCP+35%GF
3	CONTACT	8	C5210R-EH
4	SWITCH	1	C2680R-H
5	SHELL	1	SUS304R-3/4H
6	DRAG LINK	1	SUS304
7	SPRING	1	PIANO WIRE

PIN NUMBER	PIN ASSIGNMENT	PIN NUMBER	PIN ASSIGNMENT
1	DAT2	6	VSS
2	CD/DAT3	7	DAT0
3	CMD	8	DAT1
4	VDD	S	CARD DETECTION
5	CLK	G	GROUND

UNLESS OTHERWISE SPECIFIED TOLERANCE

ANG. ±5°
 0. ±0.3
 .0 ±0.25
 .00 ±0.20

SCALE: AS SHOWN UNIT: mm

DRAWN Willis 2010/05/24

CHECKED Angel 2010/05/24

APPROVED Ken 2010/05/24

DATE SIZE REV. A4



ATTEND TECHNOLOGY INC.

www.attend.com.tw

DRAWN NAME: Micro SD Socket
 Top Mount Push-Push Type

PRODUCT NO. 112A-TAAR-R02

FILE NAME: 112A-TAAR-R02_B_3

- 2 Revise: Date Code
 1 Revise: 2-1.80 change to 4-1.80 dimensions

REV.	DESCRIPTION	DATE
1		
2		
3		
4		
5		
6		
7		
8		
9		
10		