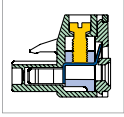


MC101 Pluggable PCB Connector, Plug with Flanges **DECA**

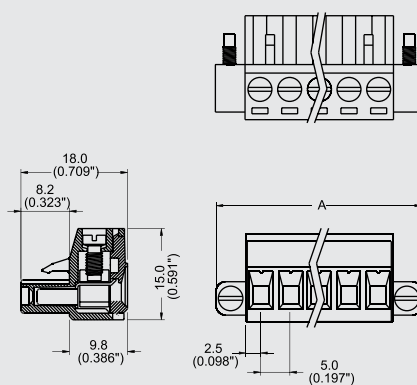


DIMENSIONS/POSITIONS

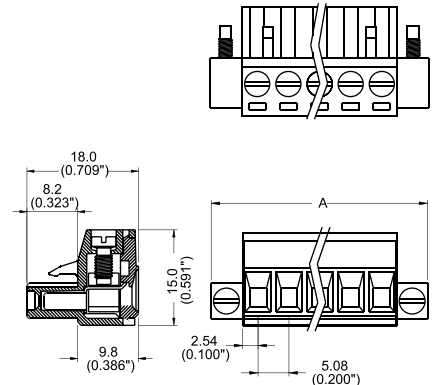
DIMENSIONS/POSITIONS		MC101-500	MC101-508
間距	Pitch	5.00mm	5.08mm
位數	Poles	2 ~ 22Poles	2 ~ 22Poles
尺寸a	Dimension a	5.00mm	5.08mm
長度 A	Length	A= 5.00xP+10.00mm(P≥2)	A= 5.08xP+10.16mm(P≥2)
塑膠本體	Housing Material	PA 66	PA 66
壓線圈	Cage Clamp	Brass, Ni Plated	Brass, Ni Plated
導電夾片	Contact	Phosphor Bronze, Tin Plated	Phosphor Bronze, Tin Plated
螺紋	Screw Thread	M3.0, Steel, Zinc Plated	M3.0, Steel, Zinc Plated
電線線徑	Wire Size	12 ~ 24AWG	12 ~ 24AWG
最大緊固扭矩	Tightening Torque, Max.	7.0 Lb-in	7.0 Lb-in
環境作業溫度	Operating Temperature	-40°C to +105°C	-40°C to +105°C

TECHNICAL DATA

連接符合標準 Connection in acc. with standard EN-VDE		
額定電流 I _N	Nominal Current I _N	16A
額定橫截面	Nominal Cross Section	2.5mm ²
最大負載電流	Maximum load current	16 A
絕緣材料	Insulating Material	PA
阻燃等級, 符合UL94 Inflammability class acc. to UL94		V0
額定電壓, UL/CUL Nominal voltage, UL/CUL		300V
額定電流, UL/CUL Nominal current, UL/CUL		16A



Note:
Screw Plating: Changes are available upon request
Cage Clamp: MC 101# : Steel



Note:
Screw Plating: Changes are available upon request
Cage Clamp: MC 101# : Steel