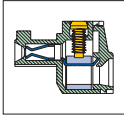


MC421 Pluggable PCB Connector, Plug with Flanges

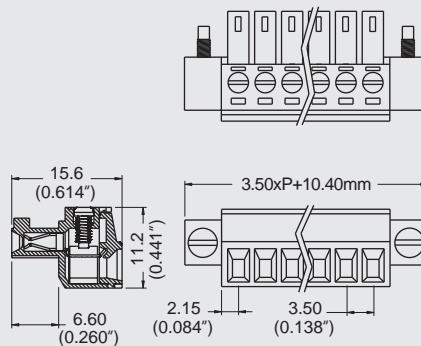


DIMENSIONS/POSITIONS

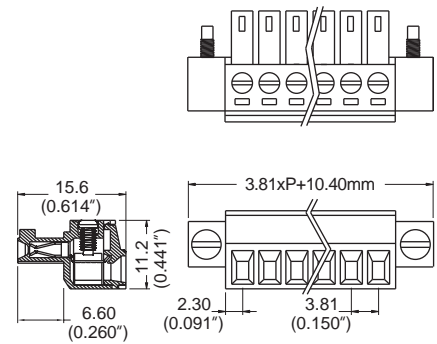
| DIMENSIONS/POSITIONS | | MC421-350 | MC421-381 |
|----------------------|-------------------------|-----------------------------|-----------------------------|
| 間距 | Pitch | 3.50mm | 3.81mm |
| 位數 | Poles | 2 ~ 24Poles | 2 ~ 24Poles |
| 塑膠本體 | Housing Material | PA 66 | PA 66 |
| 壓線圈 | Cage Clamp | Brass, Ni Plated | Brass, Ni Plated |
| 導電夾片 | Contact | Phosphor Bronze, Tin Plated | Phosphor Bronze, Tin Plated |
| 螺紋 | Screw Thread | M2.0, Steel, Zinc Plated | M2.0, Steel, Zinc Plated |
| 電線線徑 | Wire Size | 16 ~ 26AWG | 16 ~ 26AWG |
| 最大緊固扭矩 | Tightening Torque, Max. | 3.0 Lb-in | 3.0 Lb-in |
| 環境作業溫度 | Operating Temperature | -40°C to +105°C | -40°C to +105°C |

TECHNICAL DATA

| | | | |
|---|--------------------------------|--------------------|--------------------|
| 連接符合標準 Connection in acc. with standard EN-VDE | | | |
| 額定電流 I _n | Nominal Current I _n | 8A | 8A |
| 額定橫截面 | Nominal Cross Section | 1.5mm ² | 1.5mm ² |
| 最大負載電流 | Maximum load current | 8A | 8A |
| 絕緣材料 | Insulating Material | PA | PA |
| 阻燃等級,符合UL94 Inflammability class acc. to UL94 | | V0 | V0 |
| 額定電壓,UL/CUL Nominal voltage, UL/CUL | | 300V | 300V |
| 額定電流,UL/CUL Nominal current, UL/CUL | | 10A | 10A |



Note:
Screw Plating: Changes are available upon request



Note:
Screw Plating: Changes are available upon request