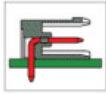


Pitch: 5.08mm(0.200inch)

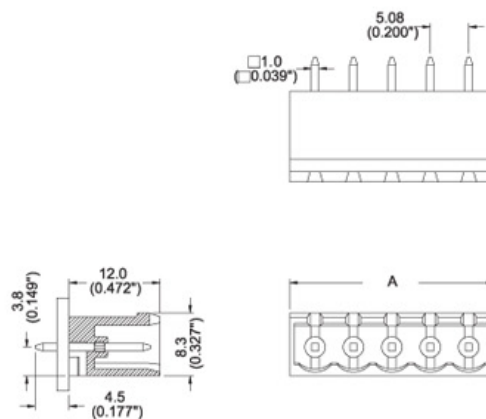


SPECIFICATIONS

			CUL	VDE
負載電壓	Rated Voltage	Bemessungsspannung	AC 300V	AC 400V
負載電流	Rated Current	Bemessungsstrom	16A	16A
塑膠本體	Housing Material	Isolierstofftyp	Polyamide66(UL94V-0)	
焊針	Solder Pin	Lötstift	□1.0mm, Brass, Tin plated	
操作溫度	Operating Temperature	Umgebungstemperatur	-40°C to + 105°C	
PC板孔徑	PCB Hole Diameter	Lochdurchmesser	φ1.5mm	
UL File No.	E167040			

TABLE

Item No.	A(mm)	A(inch)
ME040-50802	11.8	0.463
ME040-50803	16.8	0.663
ME040-50804	21.9	0.863
ME040-50805	27.0	1.063
ME040-50806	32.1	1.263
ME040-50807	37.2	1.463
ME040-50808	42.2	1.663
ME040-50809	47.3	1.863
ME040-50810	52.4	2.063
ME040-50811	57.5	2.263
ME040-50812	62.6	2.463
ME040-50813	67.6	2.663
ME040-50814	72.7	2.863
ME040-50815	77.8	3.063
ME040-50816	82.9	3.263
ME040-50817	88.0	3.463
ME040-50818	93.0	3.663
ME040-50819	98.1	3.863
ME040-50820	103.2	4.063
ME040-50821	108.3	4.263
ME040-50822	113.4	4.463
ME040-50823	118.4	4.663
ME040-50824	123.5	4.863



PCB Layout

