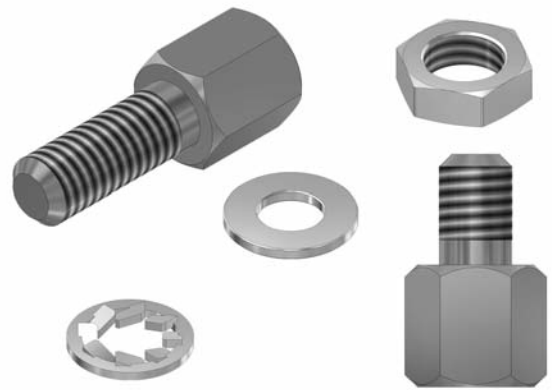


Sechskant Gewindeschrauben

Hexagonal lock screws



Anzugsdrehmoment max. 50 N/cm
Locking torque max. 50 N/cm

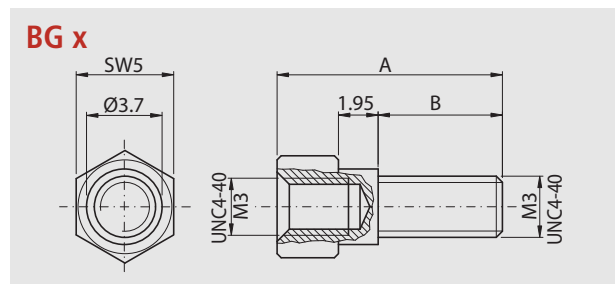
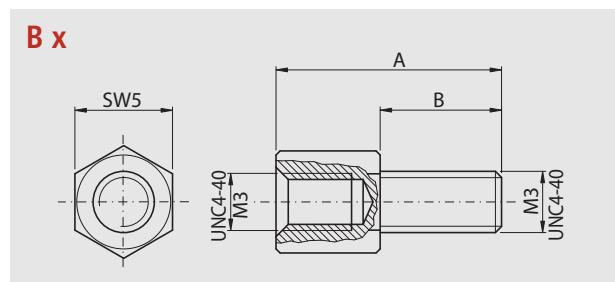
- Gefertigt aus Messing (Stahl)
- Oberflächenveredelung: Nickel, auf Anfrage Zinn oder verzinkt und blau chromatiert (Stahl)

- Made of high quality copper alloy (steel)
- Finish: Nickel on request tin plated or zinc and blue-chromated (steel)

Bestellbezeichnung

Set		
Typ	A	B
Type	A	B
BUN4-09.5 Set	09.5 mm	04.5 mm
BUN4-13 Set	13.0 mm	08.0 mm
BUN4-18 Set	18.0 mm	13.0 mm
B6.3UN4-14.3 Set	14.3 mm	08.0 mm
B6.3UN4-10.8 Set	10.8 mm	04.5 mm
B6.3M3-10.8 Set	10.8 mm	04.5 mm
BUN4/M3-13 Set	13.0 mm	08.0 mm
BM3-13 Set	13.0 mm	08.0 mm
BM3/UN4-13 Set	13.0 mm	08.0 mm
BGUN4-13 Set	13.0 mm	08.0 mm
BGUN4-9.5 Set	09.5 mm	04.5 mm
BGM3/UN4-13 Set	13.0 mm	08.0 mm
BGM3-9.5 Set	09.5 mm	04.5 mm

Order information



Einzelteile / Single parts					
Gewindeschraube	A	B	Mutter	U-Scheibe	Fächerscheibe
Lock screw	A	B	nut	washer	lock washer
BUN4-9.5	09.5 mm	04.5 mm	MUN4	UUN4	FUN4
BUN4-13	13.0 mm	08.0 mm	MUN4	UUN4	FUN4
BUN4-18	18.0 mm	13.0 mm	MUN4	UUN4	FUN4
B6.3UN4-14.3	14.3 mm	08.0 mm	MUN4	UUN4	FUN4
B6.3UN4-10.8	10.8 mm	04.5 mm	MUN4	UUN4	FUN4
B6.3M3-10.8	10.8 mm	04.5 mm	MM3	UM3	FM3
BUN4/M3-13	13.0 mm	08.0 mm	MM3	UM3	FM3
BM3-10	10.0 mm	05.0 mm	MM3	UM3	FM3
BM3-13	13.0 mm	08.0 mm	MM3	UM3	FM3
BM3/UN4-13	13.0 mm	08.0 mm	MUN4	UUN4	FUN4
BGUN4-13	13.0 mm	08.0 mm	MUN4	UUN4	FUN4
BGUN4-9.5	09.5 mm	04.5 mm	MUN4	UUN4	FUN4
BGM3/UN4-13	13.0 mm	08.0 mm	MUN4	UUN4	FUN4
BGM3-9.5	09.5 mm	04.5 mm	MM3	UM3	FM3