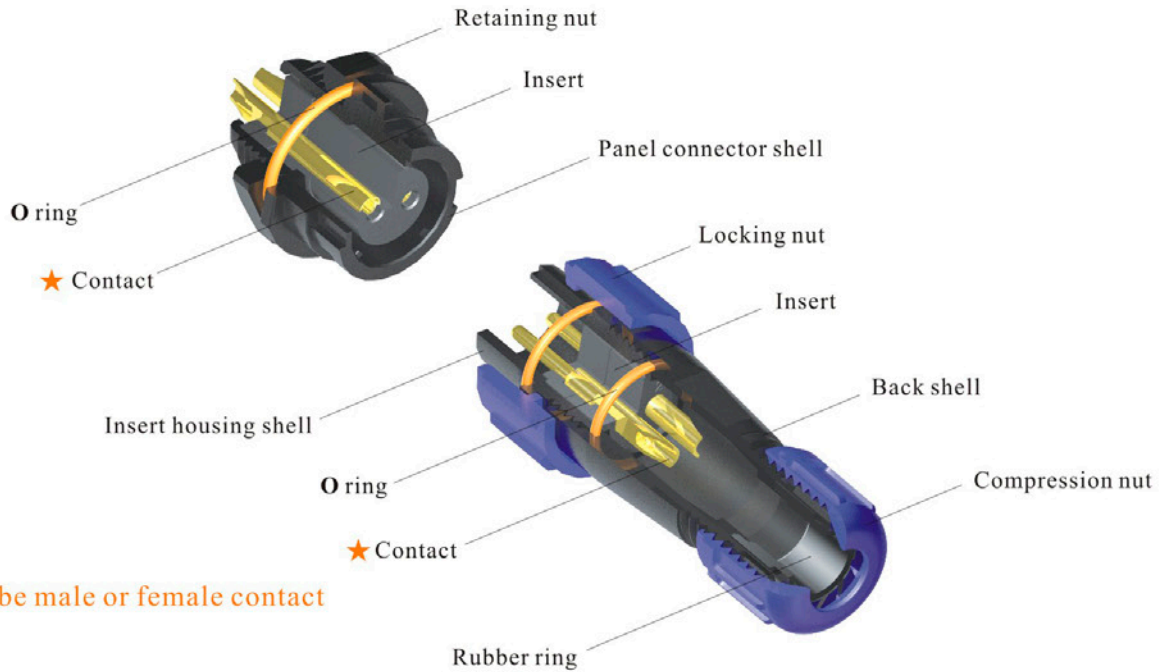


IP 67



- DELKSY Series IP67
- Bayonet coupling



★ Each side can be male or female contact

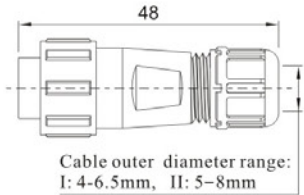
Material and spec

Coupling	Bayonet
Shell material	PC: Panel connector shell, Insert housing shell Nylon66: Locking nut, Back shell, Compressing nut, Retaining nut Fire resistance: V-0
Insert material	PPS, max temperature 260 °C
Contact material	Brass with gold plating
Termination	Solder: DELKSY13, DELKSY17, DELKSY21 Crimp: DELKSY17, DELKSY21 Screw: DELKSY21 (Ø 3 mm contact)
IP rating	IP67
Mating cycle	500
Temperature range	-40°C ~ +85°C
Insulation resistance (MΩ)	2000



Cable connector

Mate with DELKSY1311,
DELKSY1312



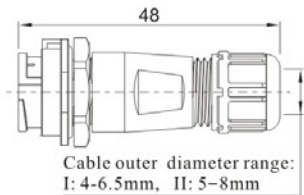
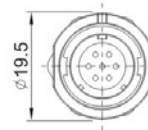
DELKSY1310/P ___ DELKSY1310/S ___

Cable outer diameter: I: 4-6.5 mm, II: 5-8 mm
Number of contact



In-line cable connector

Mate with DELKSY1310

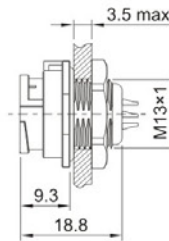
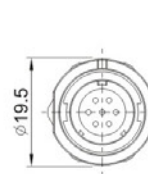


DELKSY1311/P ___ DELKSY1311/S ___

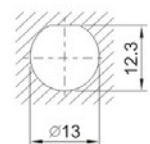


Rear-nut mount

Mate with DELKSY1310



Panel cutout



DELKSY1312/P ___ DELKSY1312/S ___

Number of contact

Solder contact spec

Number of contact	2	3	4	5	6	7	9
Male contact face view							
Rated current (A)	13	13	5	5	5	5	3
Contact diameter(mm)	1.6	1.6	1	1	1	1	0.7
Rated voltage (AC.V)	250	250	200	180	125	125	125
Test voltage(AC.V) 1 min	1500	1500	1500	1000	1000	1000	1000
Contact resistance (mΩ)	2	2	5	5	5	5	10
Wire size (mm ² /AWG)	≤2/14	≤2/14	≤0.785/18	≤0.785/18	≤0.785/18	≤0.785/18	≤0.785/18

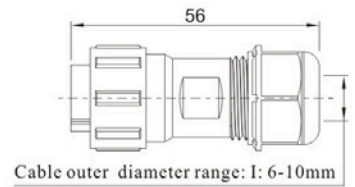


Cable connector
Mate with DELKSY1711,
DELKSY1712

DELKSY1710/P DELKSY1710/S

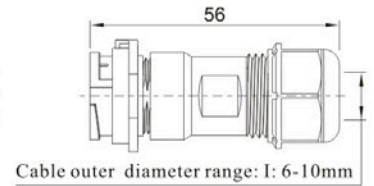
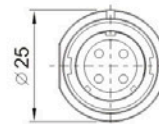
Number of contact

1: solder, 3: crimp
Cable outer diameter: I: 6-10 mm



In-line cable connector
Mate with DELKSY1710

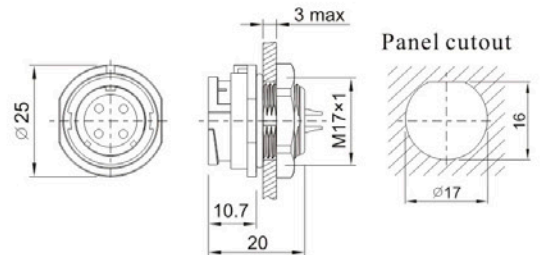
DELKSY1711/P DELKSY1711/S



Rear-nut mount
Mate with DELKSY1710


DELKSY1712/P DELKSY1712/S

Number of contact



Solder contact spec

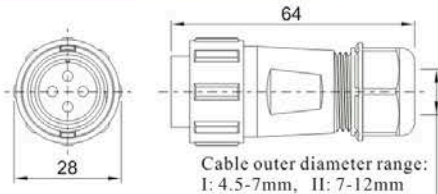
Number of contact	2	3	4	5	7	9	10
Male contact face view							
Rated current (A)	10	10	5	5	5	5	5
Contact diameter(mm)	1.5	1.5	1	1	1	1	1
Rated voltage (AC.V)	500	500	500	500	400	400	400
Test voltage(AC.V) 1 min	1500	1500	1500	1500	1200	1200	1200
Contact resistance (mΩ)	2.5	2.5	5	5	5	5	5
Wire size (mm ² /AWG)	≤ 2/14	≤ 2/14	≤ 0.785/18	≤ 0.785/18	≤ 0.785/18	≤ 0.785/18	≤ 0.785/18




DELKSY2110/P **DELKSY2110/S**

Number of contact _____

Cable connector
Mate with DELKSY2111, DELKSY2112, DELKSY2113

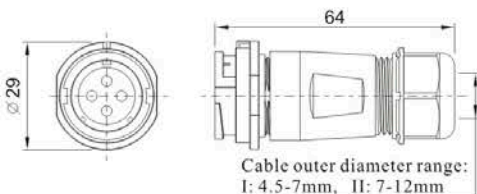


1: solder, 2: screw, 3: crimp
Cable outer diameter: I: 4.5-7 mm, II: 7-12 mm




DELKSY2111/P **DELKSY2111/S**

In-line cable connector
Mate with DELKSY2110



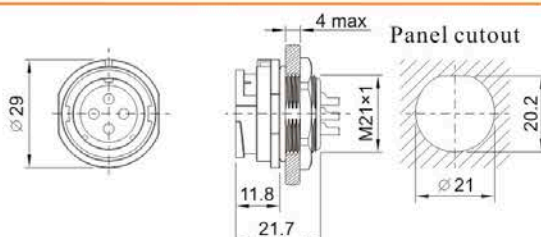
Cable outer diameter range: I: 4.5-7mm, II: 7-12mm




DELKSY2112/P **DELKSY2112/S**

Number of contact _____

Rear-nut mount
Mate with DELKSY2110

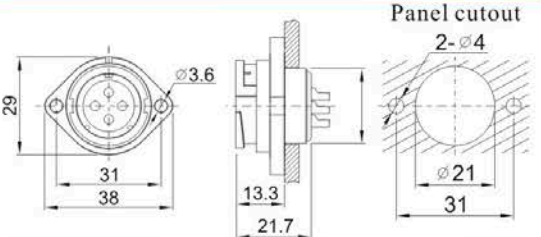



1: solder, 2: screw, 3: crimp



DELKSY2113/P **DELKSY2113/S**

2-hole flange
Mate with DELKSY2110

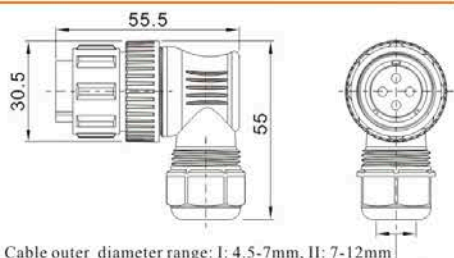




DELKSY2116/P **DELKSY2116/S**





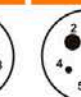



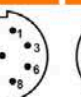
Number of contact _____

Angled cable connector
Mate with DELKSY2111, DELKSY2112, DELKSY2113



1: solder, 2: screw, 3: crimp
Cable outer diameter: I: 4.5-7 mm, II: 7-12 mm

Solder contact spec

Number of contact	2	3	4	5	5B	5C	7	9	12
Male contact face view									
Rated current (A)	30	30	30	30	30 5	15	15	5	5
Contact diameter(mm)	3	3	3	3	∅3X2 ∅1X3	2	2	1	1
Rated voltage (AC.V)	500	500	500	500	500	500	500	500	400
Test voltage(AC.V) 1 min	1500	1500	1500	1500	1500	1500	1500	1500	1200
Contact resistance (mΩ)	1	1	1	1	1 5	2.5	2.5	5	5
Termination	solder / screw	solder / screw	solder / screw	solder / screw	solder	solder	solder	solder	solder
Wire size for solder (mm ² / AWG)	≤4/11	≤4/11	≤4/11	≤4/11	≤4/11 ≤0.785/18	≤2/14	≤2/14	≤0.785/18	≤0.785/18
Wire size for screw termination (mm ² / AWG)	≤1.5/15	≤1.5/15	≤1.5/15	≤1.5/15	/	/	/	/	/