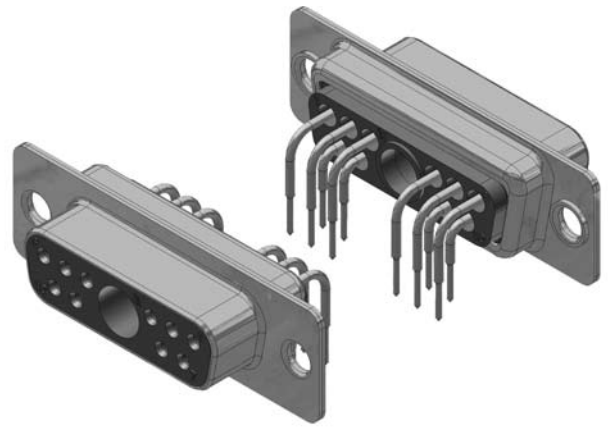


Lötstift gewinkelt 90°, 7.18 mm

Gedrehte Kontakte

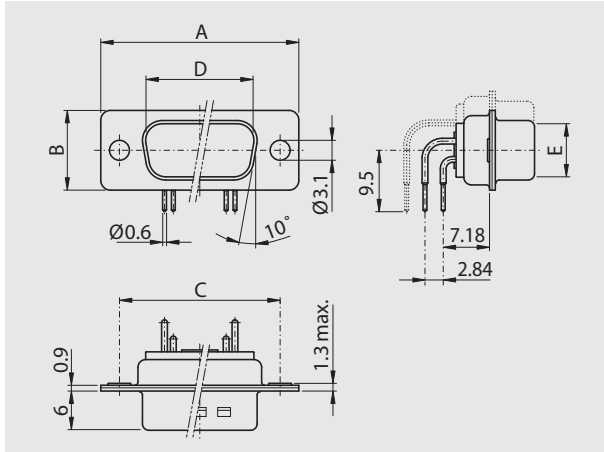
90° Solder pin, 7.18 mm

Machined contacts



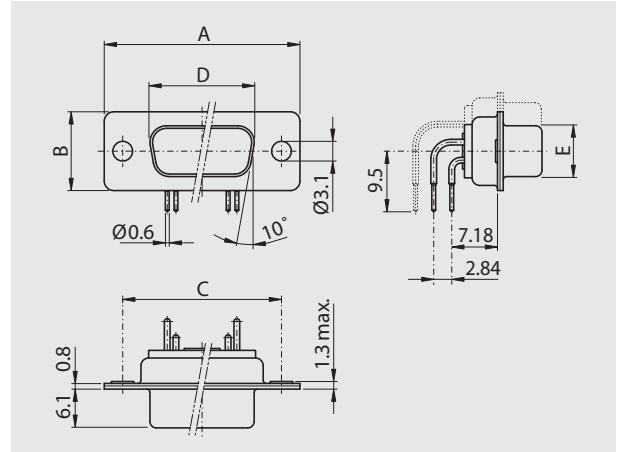
Stiftleiste

Plug connector



Buchsenleiste

Socket connector



Gehäuse-Nr.

Shell-no.	A	B	C	D	E
DE	30.80	12.40	25.00	16.90	8.30
DA	39.20	12.40	33.30	25.20	8.30
DB	53.10	12.40	47.00	39.00	8.30
DC	69.50	12.40	63.50	55.40	8.30
DD	67.00	15.40	61.10	52.90	11.20

Gehäuse-Nr.

Shell-no.	A	B	C	D	E
DE	30.80	12.40	25.00	16.30	8.00
DA	39.20	12.40	33.30	24.60	8.00
DB	53.10	12.40	47.00	38.40	8.00
DC	69.50	12.40	63.50	54.80	8.00
DD	67.00	15.40	61.10	52.40	10.70

Bestellbezeichnung Order information

Polzahl	Sonderkontakte	Gehäuse chromatiert, Stift	Gehäuse chromatiert, Buchse
No. of pos.	Special contacts	Chromated shell, plug	Chromated shell, socket
05	1	DT 5W1 PYCA x	DT 5W1 SYCA x
02	2	DT 2W2 PS x	DT 2W2 SP x
03	3	DT 3W3 P x	DT 3W3 S x
03	3	DT 3W3 PSP x	DT 3W3 SPS x
07	2	DT 7W2 PYCA x	DT 7W2 SYCA x
11	1	DT 11W1 PYCA x	DT 11W1 SYCA x
05	5	DT 5W5 P x	DT 5W5 S x
09	4	DT 9W4 PYCA x	DT 9W4 SYCA x
13	3	DT 13W3 PYCA x	DT 13W3 SYCA x
17	2	DT 17W2 PYCA x	DT 17W2 SYCA x
21	1	DT 21W1 PYCA x	DT 21W1 SYCA x
08	8	DT 8W8 P x	DT 8W8 S x
13	6	DT 13W6 PYCA x	DT 13W6 SYCA x
17	5	DT 17W5 PYCA x	DT 17W5 SYCA x
21	4	DT 21WA4 PYCA x	DT 21WA4 SYCA x
25	3	DT 25W3 PYCA x	DT 25W3 SYCA x
27	2	DT 27W2 PYCA x	DT 27W2 SYCA x
24	7	DT 24W7 PYCA x	DT 24W7 SYCA x
36	4	DT 36W4 PYCA x	DT 36W4 SYCA x
43	2	DT 43W2 PYCA x	DT 43W2 SYCA x

Polzahl	Sonderkontakte	Gehäuse verzinkt, Stift	Gehäuse verzinkt, Buchse
No. of pos.	Special contacts	Tinned shell, plug	Tinned shell, socket
05	1	DTS 5W1 PYCA x	DTS 5W1 SYCA x
02	2	DTS 2W2 PS x	DTS 2W2 SP x
03	3	DTS 3W3 P x	DTS 3W3 S x
03	3	DTS 3W3 PSP x	DTS 3W3 SPS x
07	2	DTS 7W2 PYCA x	DTS 7W2 SYCA x
11	1	DTS 11W1 PYCA x	DTS 11W1 SYCA x
05	5	DTS 5W5 P x	DTS 5W5 S x
09	4	DTS 9W4 PYCA x	DTS 9W4 SYCA x
13	3	DTS 13W3 PYCA x	DTS 13W3 SYCA x
17	2	DTS 17W2 PYCA x	DTS 17W2 SYCA x
21	1	DTS 21W1 PYCA x	DTS 21W1 SYCA x
08	8	DTS 8W8 P x	DTS 8W8 S x
13	6	DTS 13W6 PYCA x	DTS 13W6 SYCA x
17	5	DTS 17W5 PYCA x	DTS 17W5 SYCA x
21	4	DTS 21WA4 PYCA x	DTS 21WA4 SYCA x
25	3	DTS 25W3 PYCA x	DTS 25W3 SYCA x
27	2	DTS 27W2 PYCA x	DTS 27W2 SYCA x
24	7	DTS 24W7 PYCA x	DTS 24W7 SYCA x
36	4	DTS 36W4 PYCA x	DTS 36W4 SYCA x
43	2	DTS 43W2 PYCA x	DTS 43W2 SYCA x

Anstelle des x am Ende der Artikelbezeichnung die gewünschte Güteklasse 1 oder 2 einfügen. Andere Vergoldungen auf Anfrage.

To request class 1 or 2 quality, replace the x at the end of the part no. Other gold platings on request.