

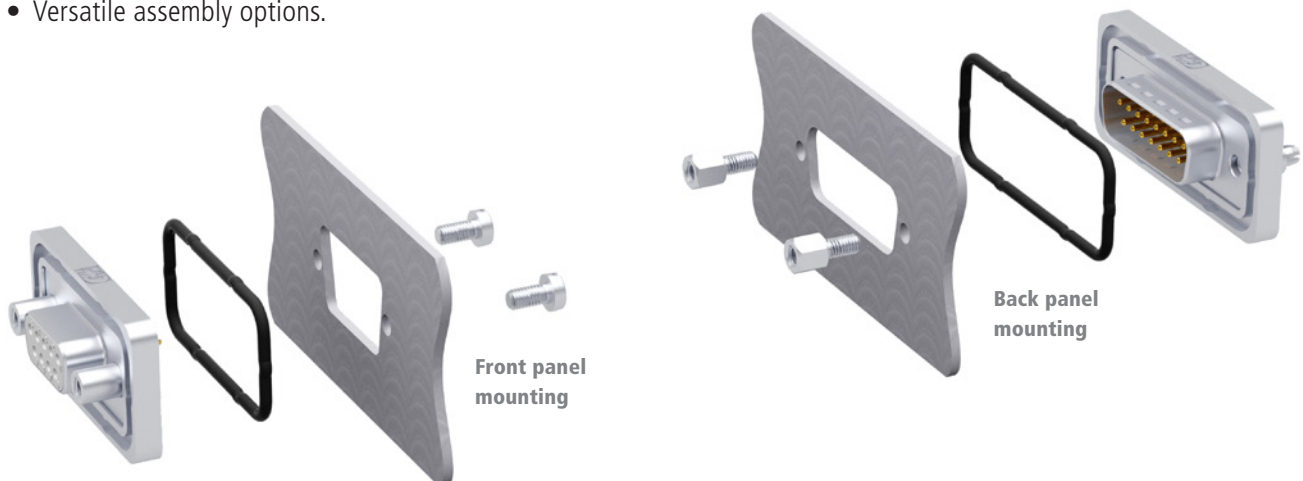
## IP68 – the ideal D-Sub connection for challenging applications.

Machines and equipment, operating in- and outdoor and exposed to dirt, dust and liquid, require rugged connector solutions.

**The waterproof series IP68 is suitable for applications in harsh conditions.**

### // FACTS:

- The nickel plated die casting flange with integrated sealing ring guarantees a firm bonding with any casting front.
- Available in all standard versions, as high density and various combo versions.
- Appropriate for back and front panel mounting.
- High precise machined contacts in various quality classes available.
- Terminal connection methods: Solder cup, solder pin straight and angled.
- Protection class IP68.
- High-class sealing compound, consistent against most fluids.
- Versatile assembly options.



### Deltron AG

Industrie Neuhof 8c · CH-3422 Kirchberg  
Phone +41 (0)34 448 12 12 · Fax +41 (0)34 448 12 13  
info@deltron.ch · www.deltron.ch

**DELTRON** <sup>SWISS</sup>  
CONNECT 2 CUSTOMIZE