

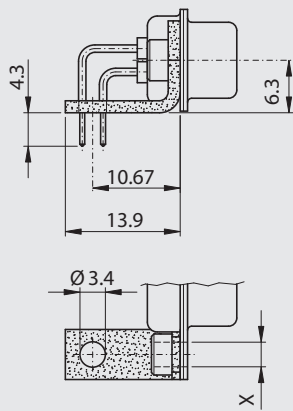
Montagearten (FT)

Bauhöhe 6.3 mm für Lötstift 90°, 9.4 mm (YC)

Assemblies (FT)

Mounting height 6.3 mm for solder pin 90°, 9.4 mm (YC)

M56 x



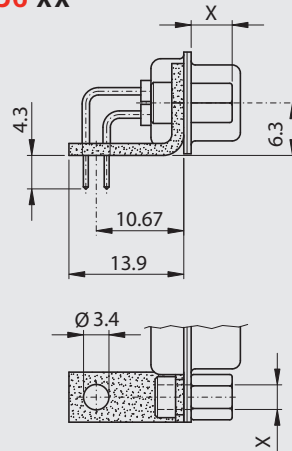
Metallwinkel / Metal bracket

M56 D3 Niete / rivet Ø 3.1 mm

M56 UN Niete / back nut UNC4-40

M56 M3 Niete / back nut M3

M56 xx



Metallwinkel / Metal bracket

M56 UN B5 Niete / back nut UNC4-40

Schraube / screw 5 mm

M56 UN B6 Niete / back nut UNC4-40

Schraube / screw 6 mm

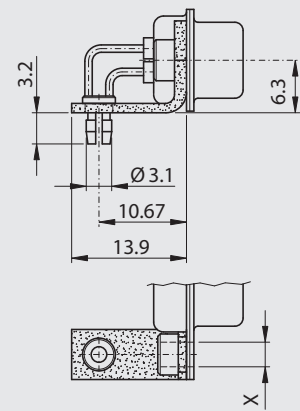
M56 M3 B5 Niete / back nut M3

Schraube / screw 5 mm

M56 M3 B6 Niete / back nut M3

Schraube / screw 6 mm

M57 x



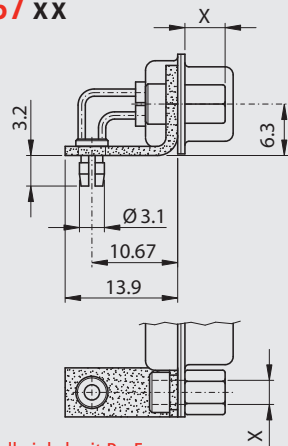
Metallwinkel mit P.o.F.
Metal bracket with P.o.F.

M57 D3 Niete / rivet Ø 3.1 mm

M57 UN Niete / back nut UNC4-40

M57 M3 Niete / back nut M3

M57 xx



Metallwinkel mit P.o.F.
Metal bracket with P.o.F.

M57 UN B5 Niete / back nut UNC4-40

Schraube / screw 5 mm

M57 UN B6 Niete / back nut UNC4-40

Schraube / screw 6 mm

M57 M3 B5 Niete / back nut M3

Schraube / screw 5 mm

M57 M3 B6 Niete / back nut M3

Schraube / screw 6 mm