

TECHNICAL CHARACTERISTICS

1.General Characteristics

Dimensions: 11.80L x 10.62W x 2.60H mm
 Weight: Approx. 0.50 g
 Contact principle: Friction technology
 Operating position: Shaft up / Down / Horizontal
 Mounting System: SMT without post
 Durability: 100,000 cycles min.

2. Mechanical Characteristics:

Insulation material: Thermoplastic, UL 94V-0

3.Electrical Characteristics

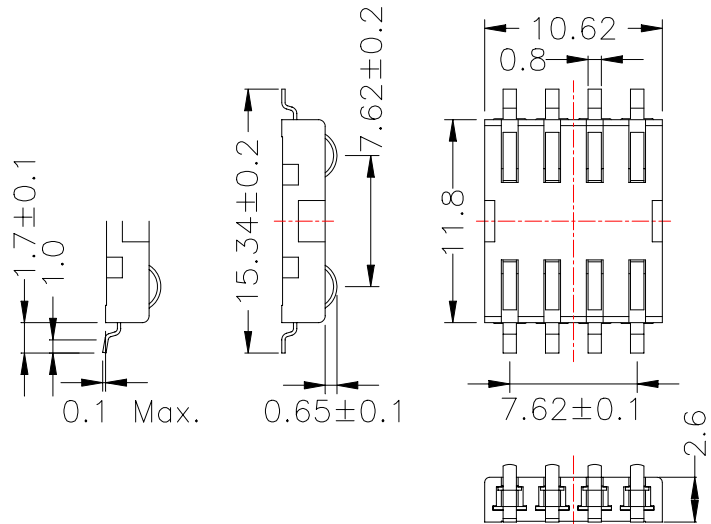
Number of contacts: 8 pins
 Contact resistance: 50 mΩ typical, 100 mΩ max.
 Insulation resistance: > 1000 MΩ / 500 VDC

4. Solderability

Wave: Not applicable
 Vaporphase: 215°C, 30 sec. Max.
 IR reflow: 230°C, 15 sec. Max.
 Manual soldering: 360°C, 3 sec. Max.

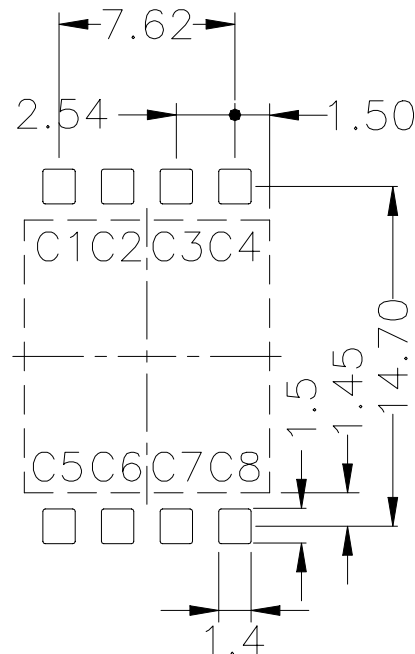
5. Environmental Characteristics

Operating temperature: - 40°C ~ + 85°C
 Operating humidity: 10 % ~ 95 % RH
 Storage temperature: - 40°C ~ + 85°C
 Storage humidity: 10 % ~ 95 % RH
 Thermal shock: - 40°C ~ + 85°C, 5 cycles
 Damp Heat: 40°C, 90 % RH, 500HR.
 Salt-mist: 35°C, 5%, NaCl , 48HR.



Unit: mm; Tolerances: ±0.10mm

Mechanical outline dimension



Unit: mm; Tolerances: ±0.10mm

Reference dimension for PCB layout

H&V Smart Card Connector

Model No.: ICC-404

Revision: 1.4

Date: DEC. 01, 2003