

HR951155A

Electrical Specification @25°C

RoHS Compliant (PB Free)

Isolation: 1500Vrms (UTP Side to Chip Side)

OCL: 200uH Typical @100KHz 50mV

Turns Ratio: (P8-P7-P6) : (J6-J3) = 1CT:1 ±5%

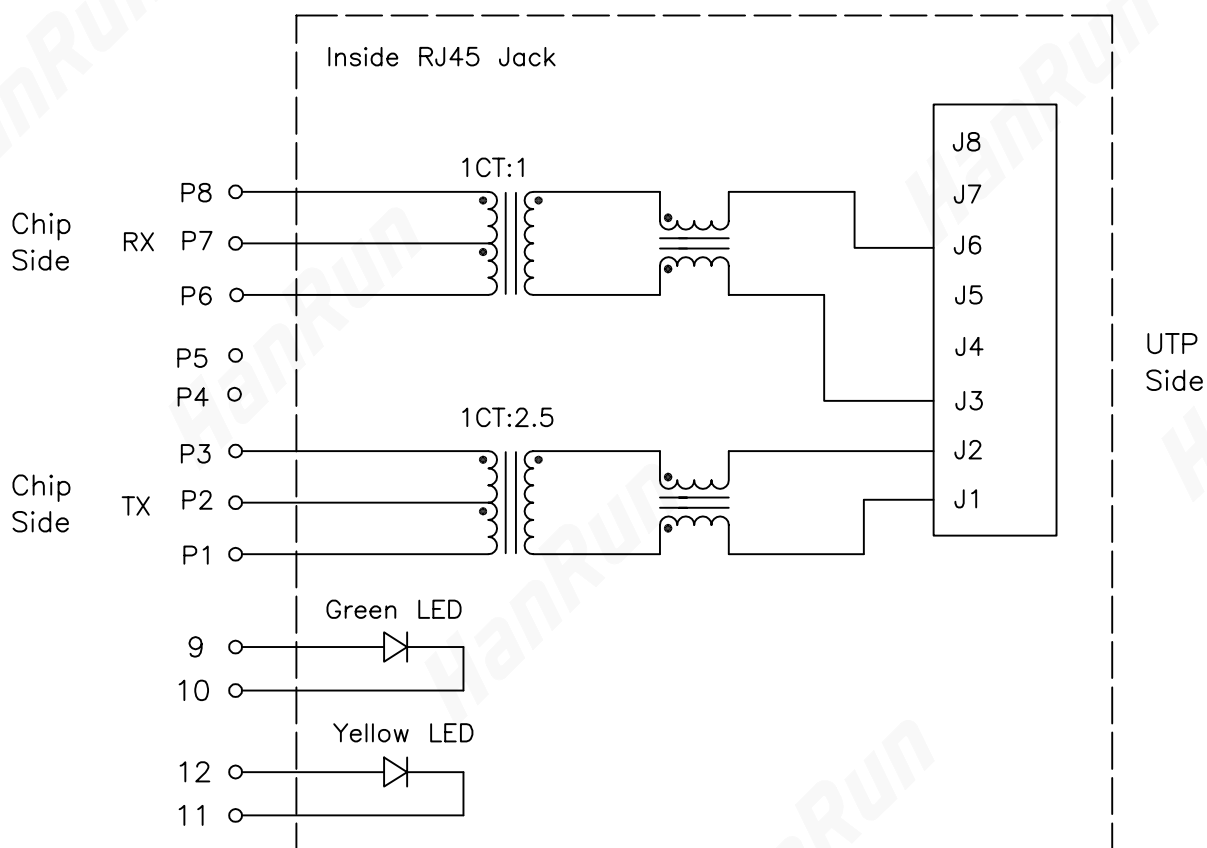
Turns Ratio: (P1-P2-P3) : (J1-J2) = 1CT:2.5 ±5%

Chip Side DC Resistance: 0.4 ohms Maximum

PRI/SEC Cw/w: 15pF Maximum @100KHz 50mV

PRI Leakage Inductance: 0.5uH Maximum @100KHz 50mV SEC Shorted

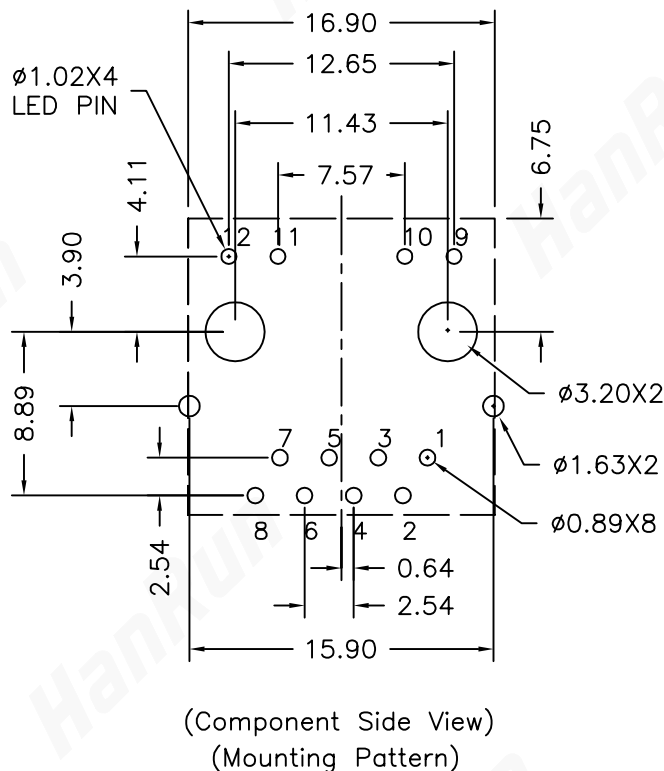
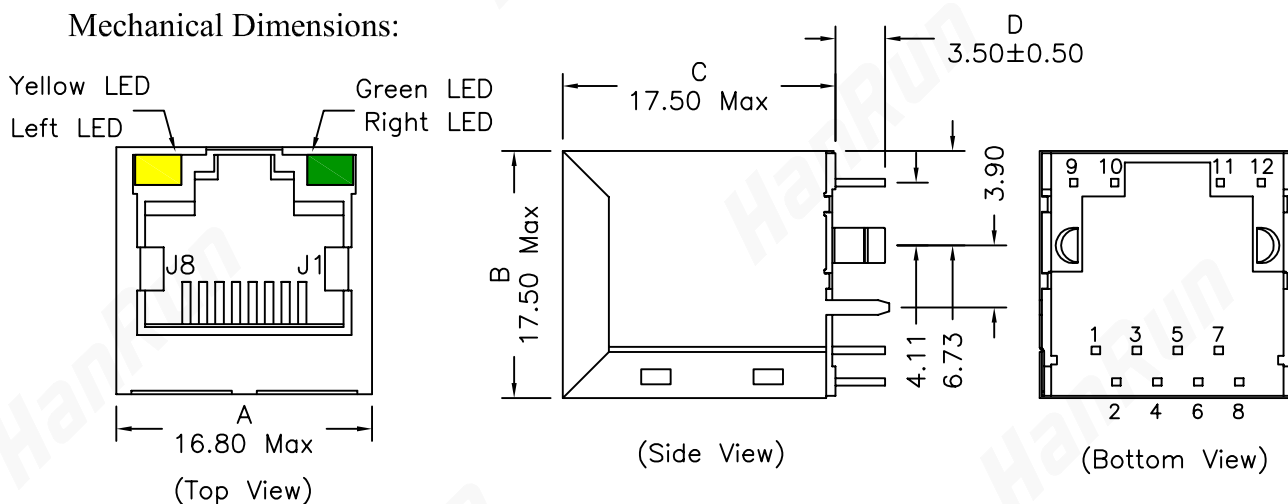
Schematics



HR951155A

- RoHS Compliant (Pb Free)
- Designed for Network Interface Card Application
- Designed to meet or exceed IEEE802.3 10Base-T specifications
- High performance for EMI suppression, Crosstalk, Return Loss and Consistent Electrical
- Minimum 1500Vrms isolation per IEEE802.3 requirement
- Minimize PCB space and Simplify PCB Layout
- Less magnetic components to place on PCB, Higher reliability and yields

Mechanical Dimensions:



Standard LED	Wavelength	Forward V (Min/Max)	Forward A	Type
Green	568nm	1.8V/2.8V	20mA	squareness
Yellow	585nm	1.8V/2.8V	20mA	squareness

Dimensions in mm

Unless otherwise specified, Tolerance: .xx ±0.25

REV.A